

extra info's which weren't included in datasheet:

STATOR WINDING RTD'S (2 SET – WHICH IS 6 PCS):

- 1 SET (3 PCS) OF 3 WIRE / BETWEEN COILS
- 1 SET (3 PCS) OF 3 WIRE / SLOT BOTTOM

BEARING RTD'S (2 SET – WHICH IS 4 PCS):

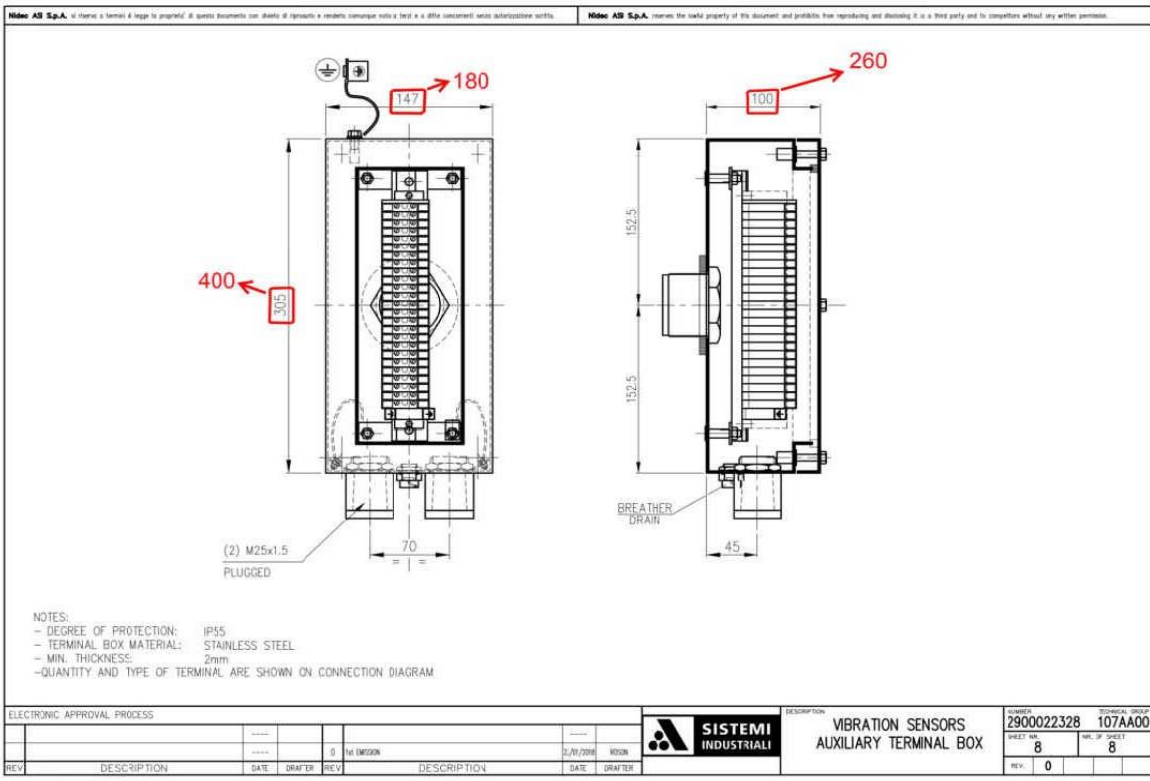
- 2 PCS OF 3 WIRE FOR DE
- 2 PCS OF 3 WIRE FOR NDF

ROTATION FROM DE IS CW

WATER LEAK DETECTOR

SECONDARY C.T.

NOTE: VIBRATION SENSORS AUX TERMINAL BOX HAS
DIFFERENT DIMENSIONS AND MORE ENTRIES AS FOLLOW



REQUIRED ITEMS FOR ISSUING TECHNICAL APPROVAL:

- NEW EQUIPMENT DATASHEET
- NEW EQUIPMENT OVERALL DIMENSION INCLUDING MAIN & AUX BOXES
- NEW EQUIPMENT INSTRUMENTS LIST
- MANUFACTURER'S ITP

POS.	INSTRUMENT/MANUFACTURER	POSITIONING	REFERENCE DRAWINGS	ITEM	QUANTITY	TYPE/CHARACTERISTIC	SETTING	ALARM	TRIPPING	PART N°	CERTIFICATE/NOTE
1	RTD's MINCO - USA	STATOR WINDING Between coils Slot bottom	2900022213/AC802BY overall dimensions 2900022328/107AA00 terminal box sh.6 2900022329/410XX00 aux.conn.diag. sh.3	A-B-C D-E-F	6	Pt 100 - IEC 60751 2000 V,50 Hz, for 1 min. 4 WIRE ARRANGEMENT	145°C	155°C	Later 147AA00		
2	RTD's THERMOENGINEERING	D.E. BEARING N.D.E. BEARING	2900022213/AC802BY overall dimensions 2900022328/107AA00 terminal box sh.6 2900022329/410XX00 aux.conn.diag. sh.3	G-H I-L	2+2	Pt 100 - IEC 60751 1000 V,50 Hz, for 1 min. 3 WIRE ARRANGEMENT	95°C	105°C	Later DT88805		
3	CURRENT TRANSFORMER FTR	STAR POINT TERMINAL BOX	2900022213/AC802BY overall dimensions 2900001637/107AA00 terminal box sh.4 2900022329/410XX00 aux.conn.diag. sh.2	CT1±CT3	3	TA AOC 1200/1-20VA-5P20 Px V<405V Rct<9.5Ω			1000280298 DT89208		
4	HEATERS ASI	HEATERS AUXILIARY TERMINAL BOX	2900022213/AC802BY overall dimensions 2900001637/107AA00 terminal box sh.5 2900022329/410XX00 aux.conn.diag. sh.2	R	4	230 V, 1260 W, 50 Hz (TOTAL) 2500 V,50 Hz, for 1 min.			Later		
5	PROBE VIBRATION SENSOR PROBE HOUSING MEGGIT	D.E. BEARING N.D.E. BEARING	2900022213/AC802BY overall dimensions 2900022328/107AA00 terminal box sh.8 2900022329/410XX00 aux.conn.diag. sh.4	VS1-VS2 VS3-VS4	4	Housing type PA 150 800-150-000-012-A1 Sensor type TQ412 11-412-000-113	85 µm p-p	100 µm p-p	Later		
6	TRANSDUCERS BENTLY & NEVADA	PROBE HOUSING	2900022213/AC802BY overall dimensions 2900022328/107AA00 terminal box sh.7 2900022329/410XX00 aux.conn.diag. sh.2	VT1-VT2 VT3-VT4	4	IQS 452 204-452-000-252			Later		
7	WATER LEAKAGE DETECTOR KUBLER	FRAME	2900022213/AC802BY overall dimensions 2900022328/107AA00 terminal box sh.7 2900022329/410XX00 aux.conn.diag. sh.2	WL	1	Type ABAU Contact type: 1 SPDT			Later		

ELECTRONIC APPROVAL PROCESS





REV	DESCRIPTION	DATE	DRAFTER	REV	DESCRIPTION	DATE	DRAFTER
				0	1st EMISSION	21/01/2018	ROSON

DESCRIPTION



INSTRUMENT LIST


NUMBER	2900022329	TECHNICAL GROUP	410XX00
SHEET NR.	5	NR. OF SHEET	5
REV.	0		

Contractor		Client							Consultant Client
 فلات پارس EPC مدیر طرح های 		 مجتمع فولاد سرجان SIRJAN AIR SEPARATION PLANT							 شرکت خدمات فنی و مهندسی کانارس
DOC NO	Project No	Prepared By	Area	Phase	Disipline	Type	Serial No	Rev	Date
Client Code	SRON	SD	00	BD	EL	DCH	0001	I01	21-May-2018

پروژه اکسیژن مجتمع جهان فولاد

موضوع مدرک: MAC M.V. MOTOR - DATA SHEET

00	21/5/2018					IFI
Rev.	Date	Prepared	Checked	Approved	Purpose of Issue	

		SPECIFICA TECNICA - technical specification				N. nr. EMRDS59A			
						FOGLIO sheet		1	DI of
		DATA SHEET PER MOTORE ASINCRONO				REV. 0 1 2			
		Induction Motor data sheet							
LINE	REV	DATI DI PROGETTO - design data							
1		COMMESSE	jobs	L42855	SIGLA	item	MC5000A		
2		SERVIZIO	service	S1	COSTRUTTORE	manufacturer	NIDEC		
3		QUANTITA'	quantity	1	MODELLO	model	CR 800 Y4		
4		CONDIZIONI DI PROGETTO - design conditions							
6		INSTALLAZIONE (INTERNO / ESTERNO)	installation (indoor / outdoor)			INDOOR			
7		MACCH.COMANDATA	Driven Equipment			AIR COMPRESSOR			
8		SENSO ROTAZIONE	Equipment rotation (1)			ACC. TO MOTOR COORDINATION DOC (CCW)			
9		VELOCITA' ROTAZIONE	Rated rotation speed			R.P.M.	1494		
10		MOMENTO INERZIA	Mass inertia moment (2)			kg m2	1700		
11		VOLANO	Flywheel			mm	N.A.		
12		PULEGGIA	Pulley			mm	N.A.		
13		ACCOPIAMENTO	Coupling type			DIRECT			
14		CINGHIE TIPO	Belts type			N.A.			
15		N° CINGHIE	N° Belts			N.A.			
16		SVILUPPO CINGHIE	Belts lenght			mm	N.A.		
17		POTENZA NOMINALE	Rated power			KW	9400		
18		TENSIONE ALIMENTAZIONE	Rated Voltage			V	6600		
19		CORRENTE NOMINALE	Full load current			In (A)	947,6		
20		FREQUENZA	Frequency			Hz	50		
21		POLI	poles			N°	4		
22		N°GIRI PIENO CARICO	full load speed			R.P.M.	1494 ②		
23		AVVIAMENTO	Starting			VFD ②			
24		MAX.VAR. TENS./Fz	Max voltage and Fz variat.			%	+/-10% - +3 -2%		
25		PROTEZIONE MECCANICA	Degree protection			IP55 / IP55 TERMINAL BOX (MIN)			
26		ESECUZIONE	Execution			FOR SAFE LOCATION			
27		COLL. AVVOLGIMENTO	Winding conn.			STAR			
28		TEMPO	Te-Te time			N.A.			
29		CLASSE ISOLAMENTO	Insulation class			F			
30		SOVRATEMPERATURA	Temperature rise			B			
31		FORMA COSTRUTTIVA	Enclosure			IM1001			
32		ROTAZIONE	Rotation (3)			ACC. TO MOTOR COORDINATION DOC			
33		RAFFREDDAMENTO	Cooling			WATER COOLED (IC81W)			
34		COPPIA SPUNTO	Starting torque			Cs (%)	70 - 28 (Un - Umin)		
35		COPPIA MAX	Break down torque			CM (%)	200 - 79 (Un - Umin)		
36		COPPIA NOMINALE	Rated torque			Nm	60083		
37		CORRENTE SPUNTO	Starting current			Is (A)	MAX 3,5*In with soft-starter		
38		RENDIMENTO	Efficiency (4/4:3/4:1/2)			%	97,5 - 97,4 - 96,9		
39		COS FI'	Power factor (4/4:3/4:1/2)			cosfi	0.89 - 0,88 - 0,84		
40		COS FI' ALL'AVVIAM.	Starting power factor			cosfi	0,11		
41		MORSETTIERA PRINCIPALE ED AUSILIARI	Main and Auxiliary Terminal box (3)			RIGHT			
42		ENTRATA CAVI	Cables entry (3)			BOTTOM			
43		TEMP.AMBIENTE	Ambient temp.(MAX/MIN)			°C	+40		-12
44		ALTEZZA	Altitude (s.l.m.)			m	1700		
45		NOTE - notes:							
46		(1) Il senso di rotazione si intende visto dal lato accoppiamento-Operating machine rotation viewed from coupling side							
47		(2) della macchina operatrice - of driven machine							
48		(3) Visto dal lato albero-Viewed from shaft end							
49		(4) Le tollerance IEC non sono ammesse sulla corrente di avviamento; i valori indicati sono i massimi accettabili.							
50		IEC tolerances are not admitted on starting current; indicated values are the maximum accepted.							
51		2	18/05/2018	Revised where indicated			Nessi	Togni	
		1	09/10/2017	Issue for order			Nessi	Togni	
		0	03/07/2017	Issue			Togni	Nessi	
		REV.	DATA	DESCRIZIONE			COMPILATO	APPROVATO	
		rev.	date	description			compiled	approved	

Property of SIAD Macchine Impianti S.p.A. to be returned upon request and used only in reference to contract or proposal of this company. Reproduction of this print or unauthorized use of patented or patentable features



SPECIFICA TECNICA - technical specification

N. nr.	EMRDS59A			
FOGLIO sheet	2	DI of	2	
REV.	0	1	2	

DATA SHEET PER MOTORE ASINCRONO Induction Motor data sheet





CONDIZIONI DI PROGETTO - design conditions

LINE	REV				
6		TEMP. INGRESSO ACQUA RAFFREDD.	Cooling water inlet temperature	°C	+30
7		AUMENTO DI TEMP. ACQUA RAFFR.	Colling water increasing temperature	°C	+10
8		PRESS. ESERCIZIO ACQUA RAFFR.	Cooling water operating pressure	bar	3
9		DELTAP AMMISS. ACQUA RAFFREDD.	Cooling water allowable Deltap	bar	0,5
10		PRESS. PROG. ACQUA RAFFR.	Cooling water circuit design pressure	bar	10
11		CLASSE ATM.	Atm class		N.A.
12		ZONA	Zone		N.A.
13		GRUPPO	Group		N.A.
14		CLASSE TEMP.	Temperature class		F/B
15		PESO ROTORE	Rotor weight	Kg	5932 2
16		PESO TOTALE	Total weight	Kg	23000 2
17		CUSCINETTI (L. acc.)	Bearing (D.E.)		SLEEVE OIL FORCED
18		CUSCINETTI (L. libero.)	Bearing (N.D.E.)		SLEEVE OIL FORCED (Insulated)
19		MOMENTO INERZIA MOTORE	Motor mass inertia moment	Kgm2	475
20		RUMOROSITA'	Sound pressure level	dB(A)	< 85 @ 1 m
21		TERMORIL.Supporti	Bearing temp.detector	N°/Type	2 PT100 SINGLE ON SLEEVE BEARINGS
22		TERMORIL.Avvolgim.	Winding temp.detector	N°/Type	6 PT100 SINGLE ON STATOR WINDINGS
23		RESIS.ANTICONDENSA	Space heater	V/F/W	YES - 230/50/TBI
24		SISTEMA LUBRIF.	Lubricant method		FORCED 2
25		TIPO LUBRIFICANTE	Lubricant type		ISO VG32
26		QUANTITA' LUBRIF.	Lubricant quantity	l/min	23 2
27		IMB.MORSETT.MOTORE	Motor term. box diam.		(5)
28		IMB.MORSETT.RISC.	Heater term. box diam.		(5)
29		PRESSACAVI	Cable glands		N.A.
30		MAX N° AVVIAMENTI CONSECUTIVI	Max N° of consecutive starts		2 COLD / 1 HOT
31		RILEVATORI DI VIBRAZIONE	Vibration monitoring		2 x 90° on each bearing (8)

NOTE - notes

- (5) to be defined during job development
- (6) the star point shall be inspectable and transfered outside motor with CTs connected to dedicated Junction Box for the motor differential protection.
CTs detail will be defined during engineering phase
- (7) TBI - To Be Indicated
- (8) Proximitors with 4-20mA output are installed inside a dedicated JB - Vendor shall be VIBRO METER - MEGGITT SENSING SYSTEMS (Switzerland)

32
33
34
35
36
37
38
39
40
41
42
43
44
45
46
47
48
49
50
51
52
53
54
55
56
57
58
59
60
61

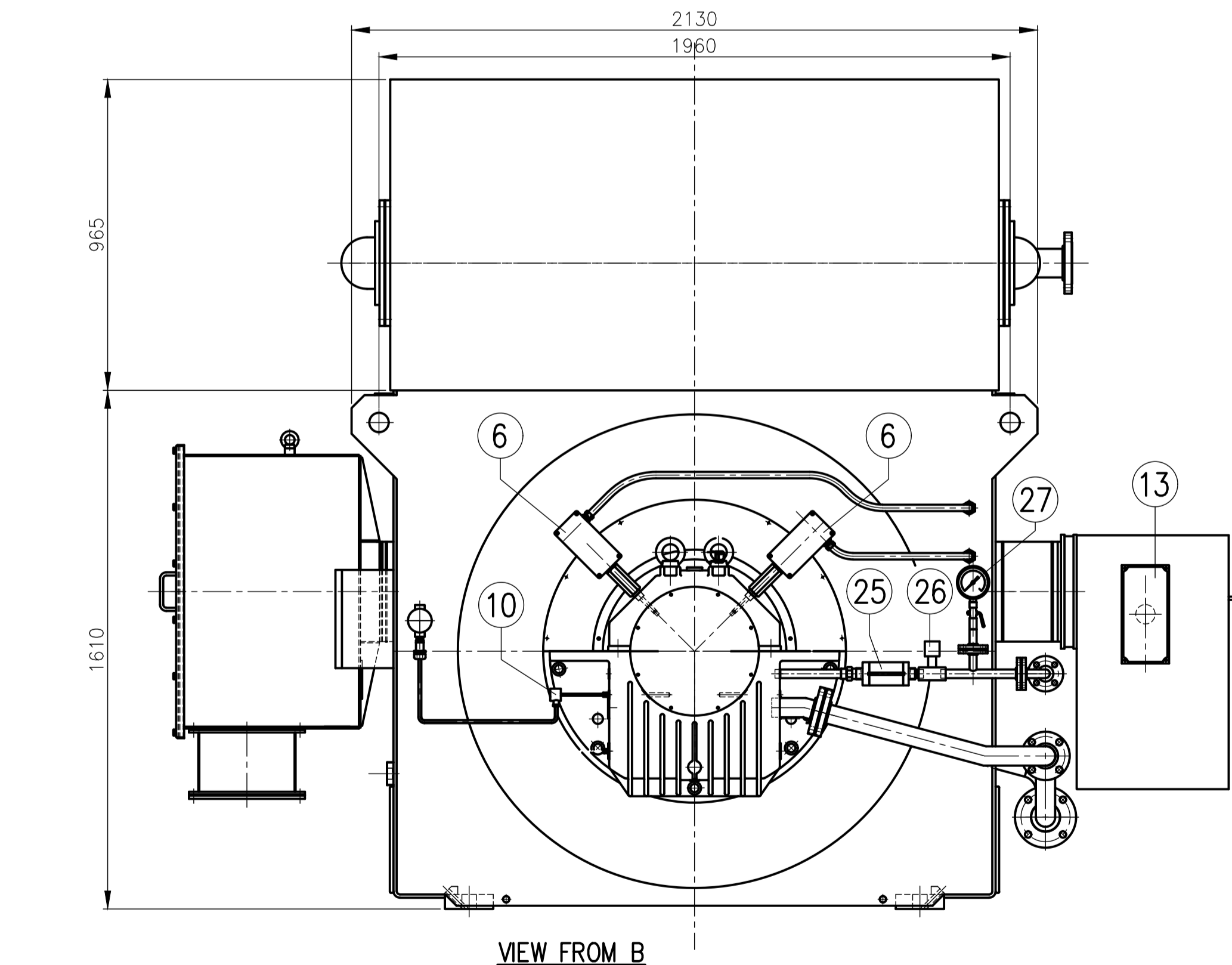
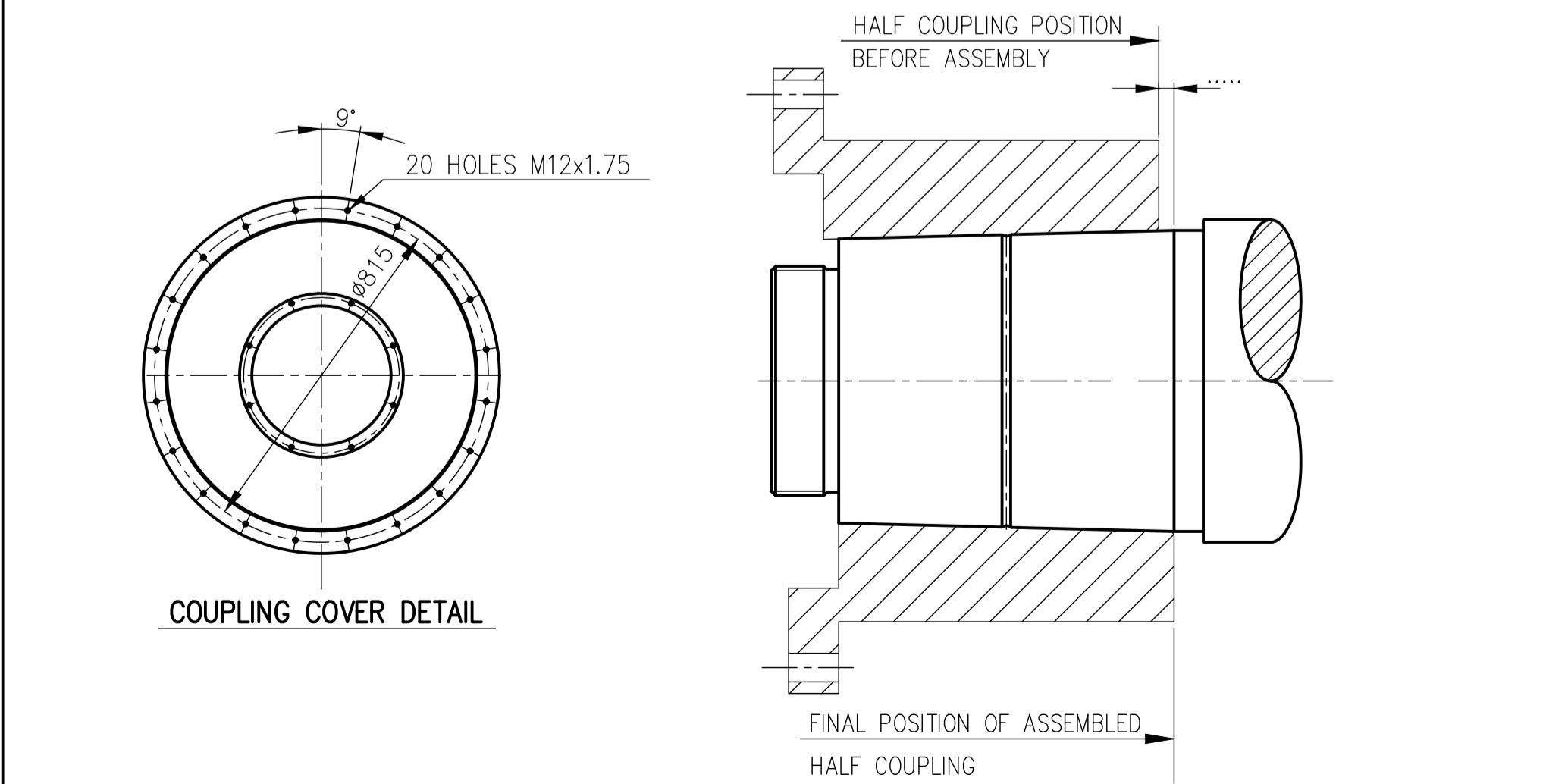
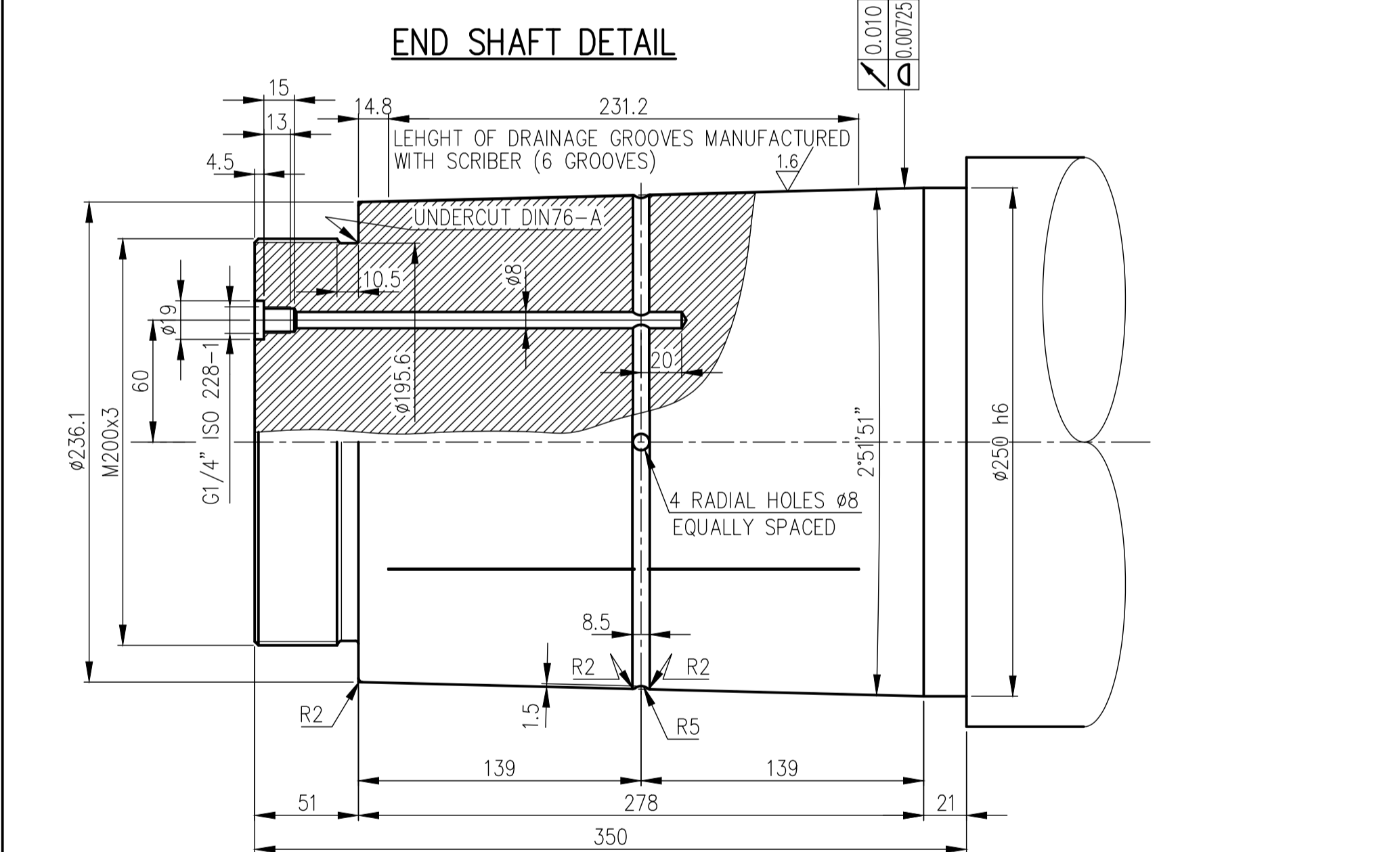
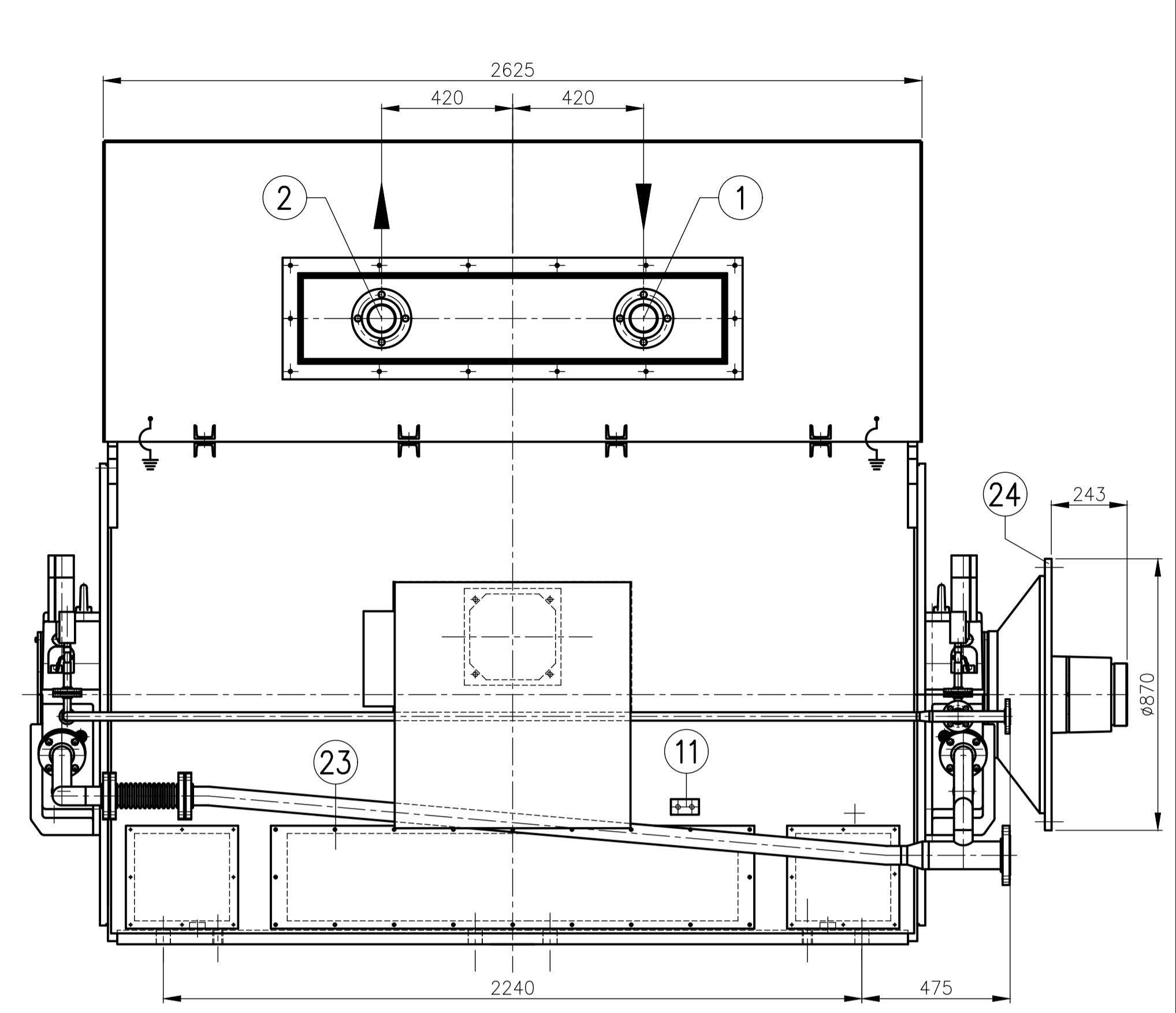
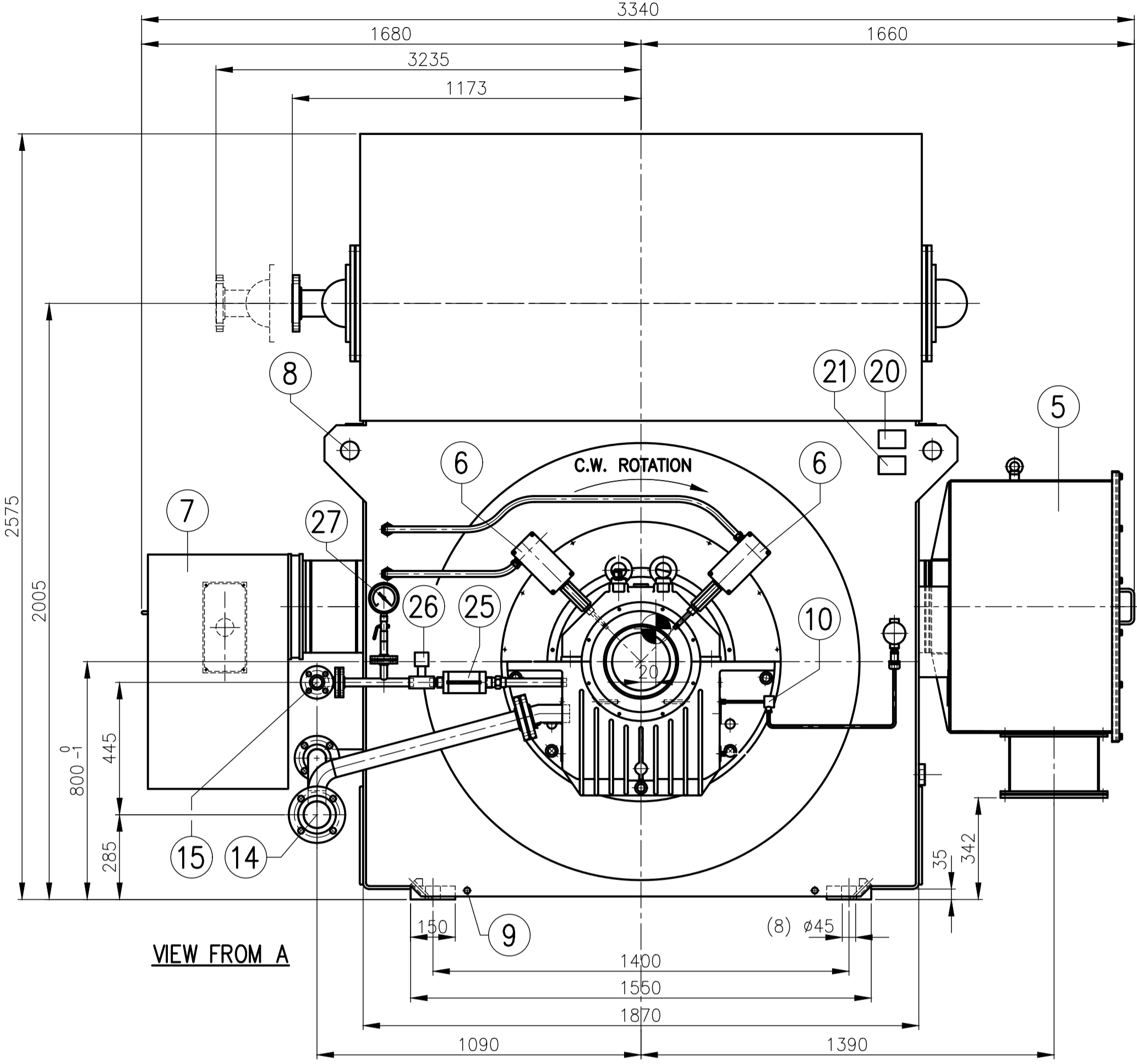
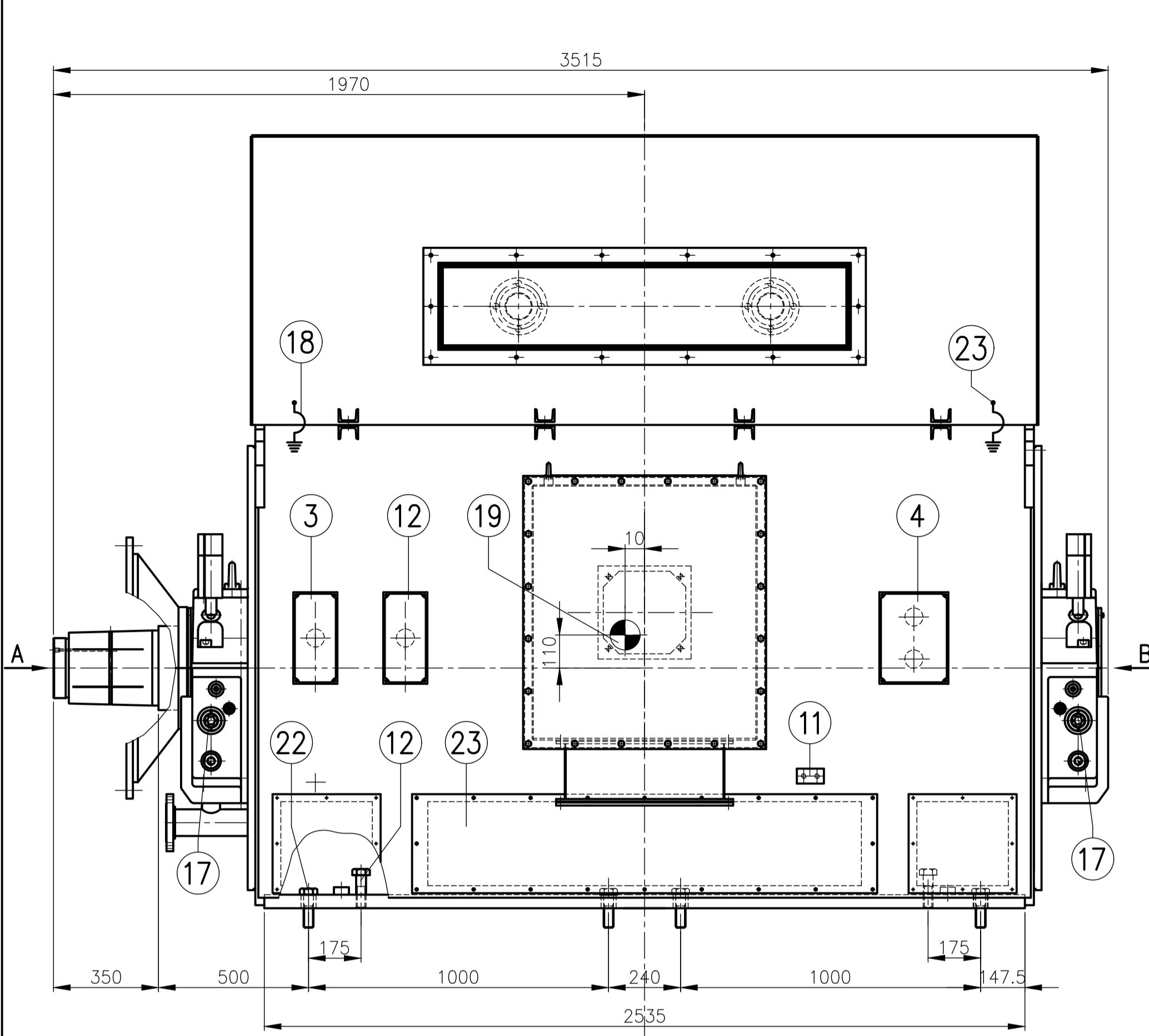
Contractor		Client							Consultant Client
 فلات پارس EPC طرح های 		 مجتمع فولاد سیرجان SIRJAN AIR SEPARATION PLANT							 شرکت خدمات فنی و مهندسی کاویس
DOC NO	Project No	Prepared By	Area	Phase	Disipline	Type	Serial No	Rev	Date
Client Code	SRON	SD	00	DD	EL	DWG	0012	101	9-Jan-2018

پروژه اکسیژن مجتمع جهان فولاد

موضوع مدرک: MAC M.V. MOTOR - MOTORS ASSEMBLY DWGS WITH LOADS

SIAD DOC NO: EST65814

Rev.	Date	Prepared	Checked	Approved	Purpose of Issue
01	01/09/2018				IFI
00	12/05/2017				IFI



CHARACTERISTIC DATA

ITEM	-
RATING	9400 kW
VOLTAGE	6600 +/- 10% V
FREQUENCY	50 +3%/-2% Hz
SPEED	1494 rev/min
MOUNTING	IM 1003
PROTECTION DEGREE	IP55
TYPE OF COOLING	IC81W
TYPE OF CONSTRUCTION	SAFE AREA
SERVICE	S1
MOTOR MASS	23000 kg
WR ²	475 kgm ²
ROTOR MASS	LATER kg
AMBIENT TEMP.	40° C
INSULATION CLASS	F/B

AIR/WATER COOLER DATA

WATER FLOW	635 l/min
WATER INLET TEMPERATURE	30° C
WATER INLET PRESSURE	3 barg

LOADS ON EACH SIDE REST

DEAD LOAD	112.815 kN
NORMAL ELECTROMAGNETIC REACTION	± 42.94 kN
SHORT-CIRCUIT ELECTROMAGNETIC REACTION	± 429.43 kN
COUNTER-PHASE ELECTROMAGNETIC REACTION	± 858.86 kN

ROTOR TOTAL END
FLOAT 12 mm (± 6 mm)
COUPLING MUST BE
LIMITED END FLOAT ± 2 mm
(SEE INSTRUCTION I -1500 B
INSIDE OPERATION MANUAL).

FOR MOTOR FIXING AND VERTICAL ALIGNMENT USE :
SCREWS M33 UNI5739
LARGE DIAMETER WASHERS 36x99 UNI 6593
NIDEC ASI SCOPE OF SUPPLY

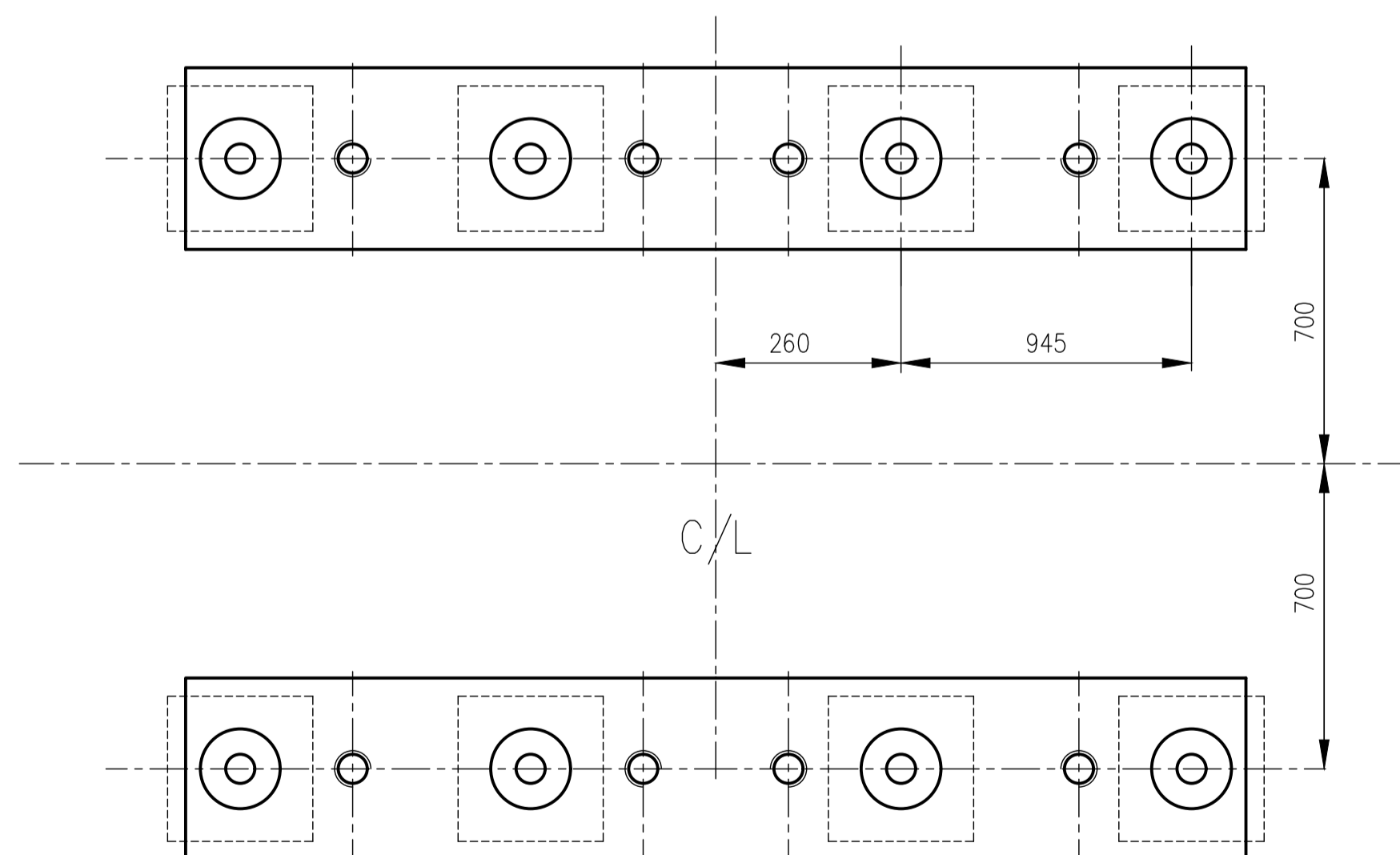
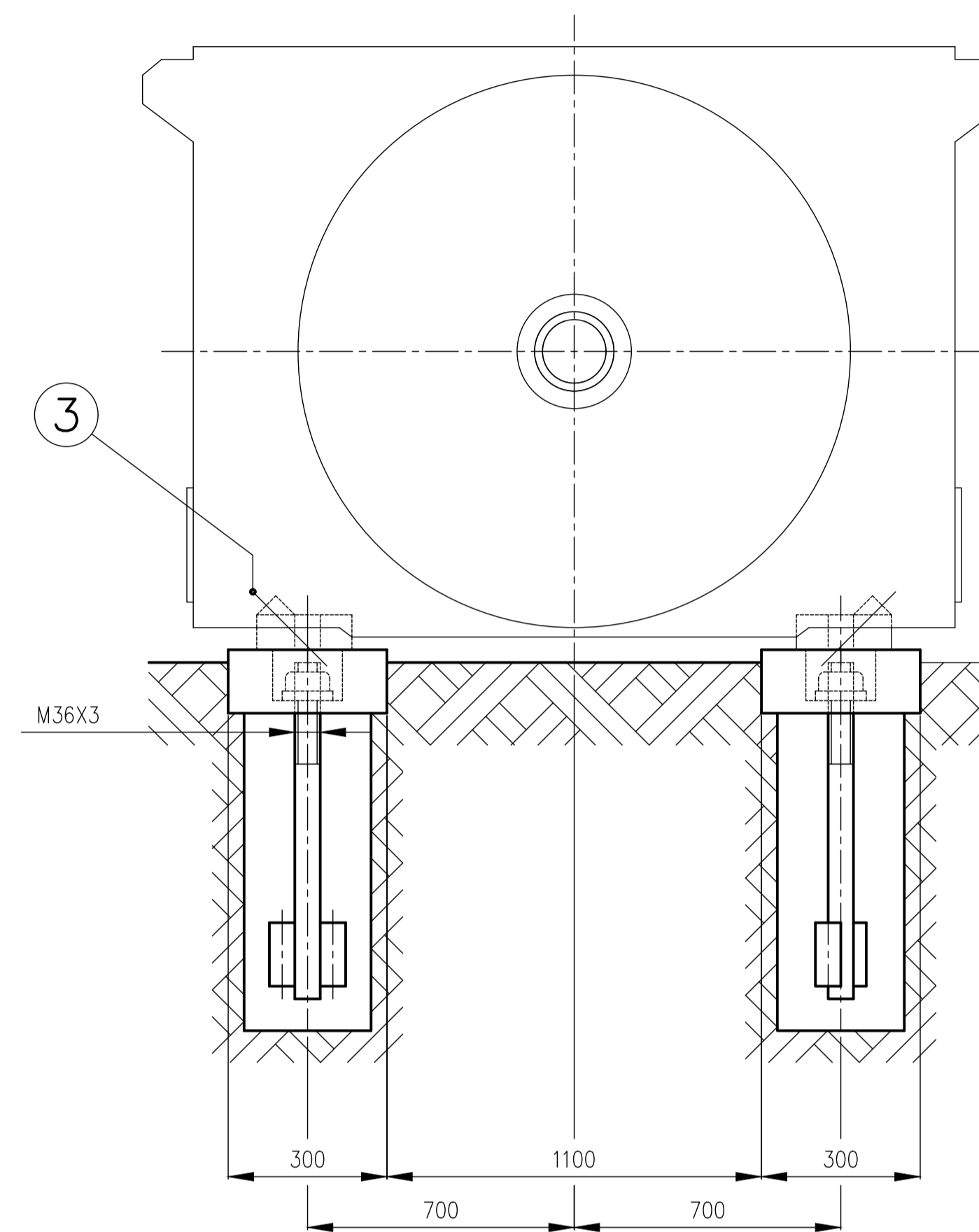
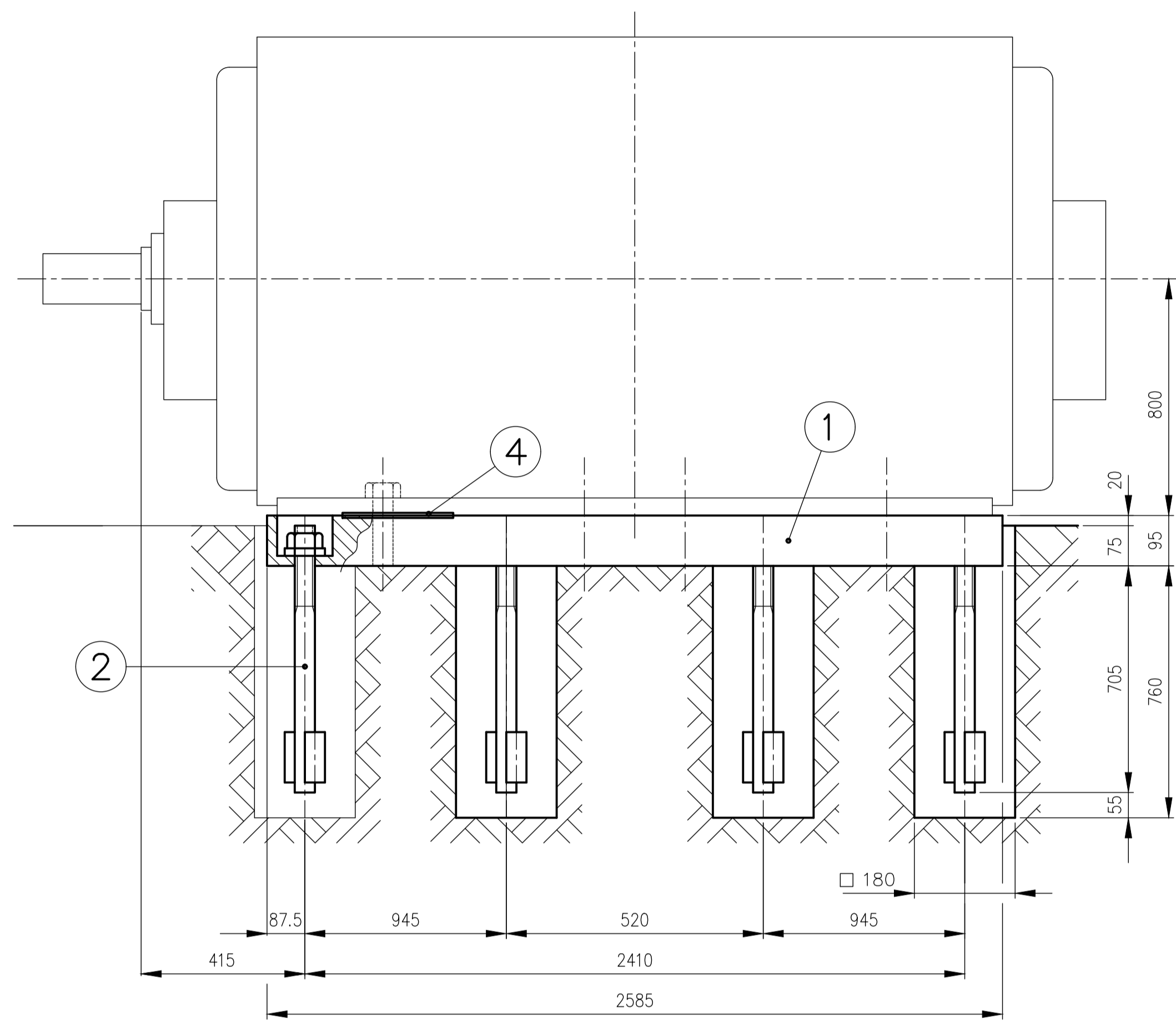
DESCRIPTION

- WATER INLET (FLANGE 3" S.O.W. 80-150 RF ANSI B16.5)
- WATER OUTLET (FLANGE 3" S.O.W. 80-150 RF ANSI B16.5)
- WINDING AND BEARINGS RTD'S AUXILIARY TERMINAL BOX
- HEATERS TERMINAL BOX (FRAME 230V-1260W-50Hz)
- MAIN TERMINAL BOX
- VIBRATOR SENSOR (2) MEGGITT SENSING SYSTEMS ON EACH BEARING
- STAR POINT TERMINAL BOX
- MOTOR LIFTING LUGS
- HOLES FOR CONDENSATE DRAINING
- RTD IN THE BEARING ONE EACH BEARING
- STAINLESS STEEL EARTH CLAMP (2 DIAGONALLY OPPOSITE)
- VIBRATION SENSORS TERMINAL BOX
- CT'S SECONDARY TERMINAL BOX
- OIL OUTLET (FLANGE 3" S.O.W. 80-150 RF ANSI B 16.5)
- OIL INLET (FLANGE 1" S.O.W. 25-150 RF ANSI B 16.5)
- VERTICAL ALIGNMENT BOLTS LOCATION
- OIL LEVEL INDICATOR
- EQUIPOTENTIAL CONNECTIONS
- CENTER OF GRAVITY
- MAGNETIC CENTER REFERENCE PLANE WELDED ON FRAME
- ALIGNMENT NAMEPLATE
- FIXING SCREWS
- COVER FOR FIXING BOLTS AND HEATERS INSPECTION
- COUPLING COVER FLANGE
- OIL FLOWMETER
- OIL REDUCER VALVE
- OIL MANOMETER

SLEEVE BEARINGS (INSULATED)
FORCED LUBRICATED

D.E. TYPE	EMZLB 22-250
N.D.E. TYPE	EMZLQ 22-250 INSULATED
OIL TYPE	L-HM32 ISO3498 (ISO VG 32)
OIL FLOW D.E.	11.5 l/min
OIL FLOW N.D.E.	11.5 l/min
TOTAL OIL FLOW	23 l/min
OIL INLET TEMP.	Min. 20 °C
OIL INLET TEMP.	Normal 48 °C
OIL INLET TEMP.	Max. 55 °C
OIL INLET PRESSURE	
BEFORE VALVE REDUCER	2.5 barg
AFTER VALVE REDUCER	0.2 ÷ 0.3 barg

REV.	REVISION DESCRIPTION	DATE	DRAFTER	SIGNATURES	CHECKED	APPROVED
0	1ST EMISSION	29/11/2017	IACUMMI			
TOTAL MASS :		kg				
SISTEMI INDUSTRIALI		2900022213 OVERALL DIMENSIONS				
NUMBER		DESCRIPTION				
EXTENDED DESCRIPTION		CR 800 Y4 - AV.74.7068385.0601.01				
TECHNICAL GROUP		FORMAT				
Monfalcone, Italy		AC802BY				
SHEET N.		1				
OF SHEET		2				
Nidec ASI S.p.A. reserve the lawful property of this document and prohibits from reproduction and disclosing it to a third party and to competitors without written permission.		ELECTRONIC APPROVAL PROCESS				
DERIVED BY						



LEGEND





- 1 BASE PLATES
- 2 ANCHORS
- 3 HOLES FOR DOWEL PIN
- 4 SHIMS (3 MM)

REV.	REVISION DESCRIPTION	DATE	DRAFTER	SIGNATURES	CHECKED	APPROVED
0	1ST EMISSION	29/11/2017	IACUMIN			
						TOTAL MASS : kg

	NUMBER	2900022213	DESCRIPTION	OVERALL DIMENSIONS
	EXTENDED DESCRIPTION	CR 800 Y4 - AV.74.7068385.0601.01		
TECHNICAL GROUP	AC802BY	FORMAT	E P Z	SHEET N. 2 OF SHEET 2
Monfalcone, Italy				DERIVED BY

Nidec ASI S.p.A. reserve the lawful property of this document and prohibits from reproduction and disclosing it to a third party and to competitors without written permission.

ELECTRONIC APPROVAL PROCESS

Contractor		Client							Consultant Client
 فلات پارس EPC طرح های 		 Sirjan Steel Complex مجتمع فولاد سیرجان							 شرکت خدمات فنی و مهندسی کانارس
SIRJAN AIR SEPARATION PLANT									
DOC NO	Project No	Prepared By	Area	Phase	Disipline	Type	Serial No	Rev	Date
Client Code	SRON	SD	00	DD	EL	DWG	0013	100	27-Jan-2018

پروژه اکسیژن مجتمع جهان فولاد

موضوع مدرک:

MAC M.V. MOTOR - MOTORS JUNCTION BOXES DWGS AND WIRING CONNECTIONS

SIAD DOC NO: EST65816

00	01/27/2018					IFI
Rev.	Date	Prepared	Checked	Approved	Purpose of Issue	

CUSTOMER: SIAD MACCHINE IMPIANTI SPA
 PROJECT: n.1 CT800Y4 – ASCOTEC – IRAN
 JOB NUMBER: AV.74.7068385.0601.01–03
 TYPE: CT 800 Y4

DRAWING	SHEET	DESCRIPTION	REVISION INDEX					
			0	1	2	3	4	
2900022329 410XX00	1	COVER SHEET – WIRING DIAGRAM	23.01.18					
	2	HEATERS, SECONDARY C.T. AND WATER LEAKAGE DETECTOR WIRING DIAGRAM						
	3	RTDS WIRING DIAGRAM						
	4	VIBRATIONS SENSORS WIRING DIAGRAM						
	5	INSTRUMENT LIST						

ELECTRONIC APPROVAL PROCESS

REV	DESCRIPTION	DATE	DRAFTER	REV	DESCRIPTION	DATE	DRAFTER
		----		0	1st EMISSION	23/01/2018	ROSON

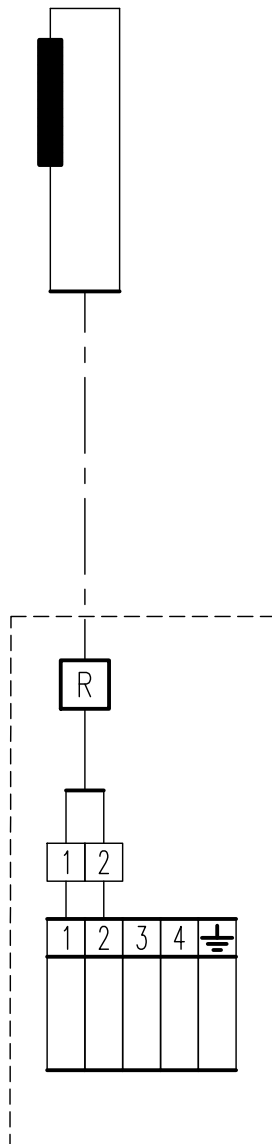


DESCRIPTION

COVER SHEET
 WIRING DIAGRAM
 AV.74.7068385.0601.01

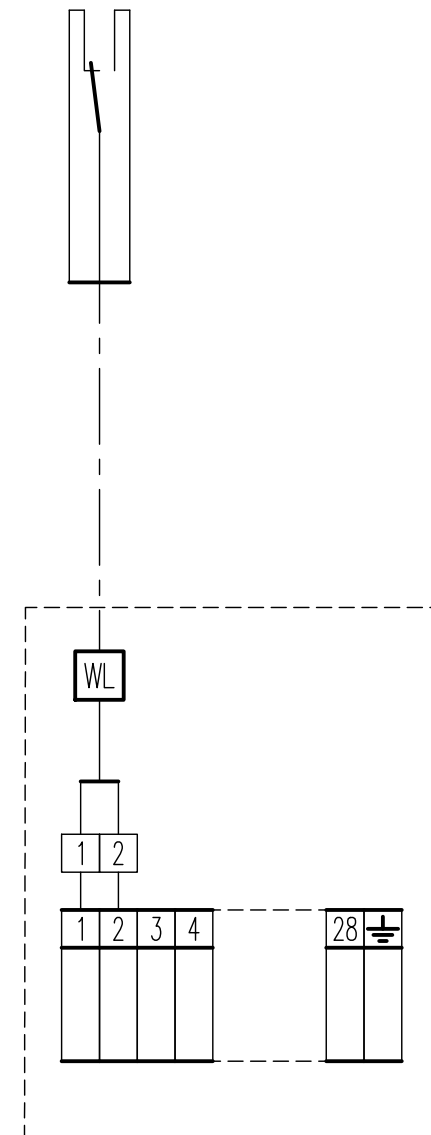
NUMBER	2900022329	TECHNICAL GROUP	410XX00
SHEET NR.	1	NR. OF SHEET	5
REV.	0		

HEATERS



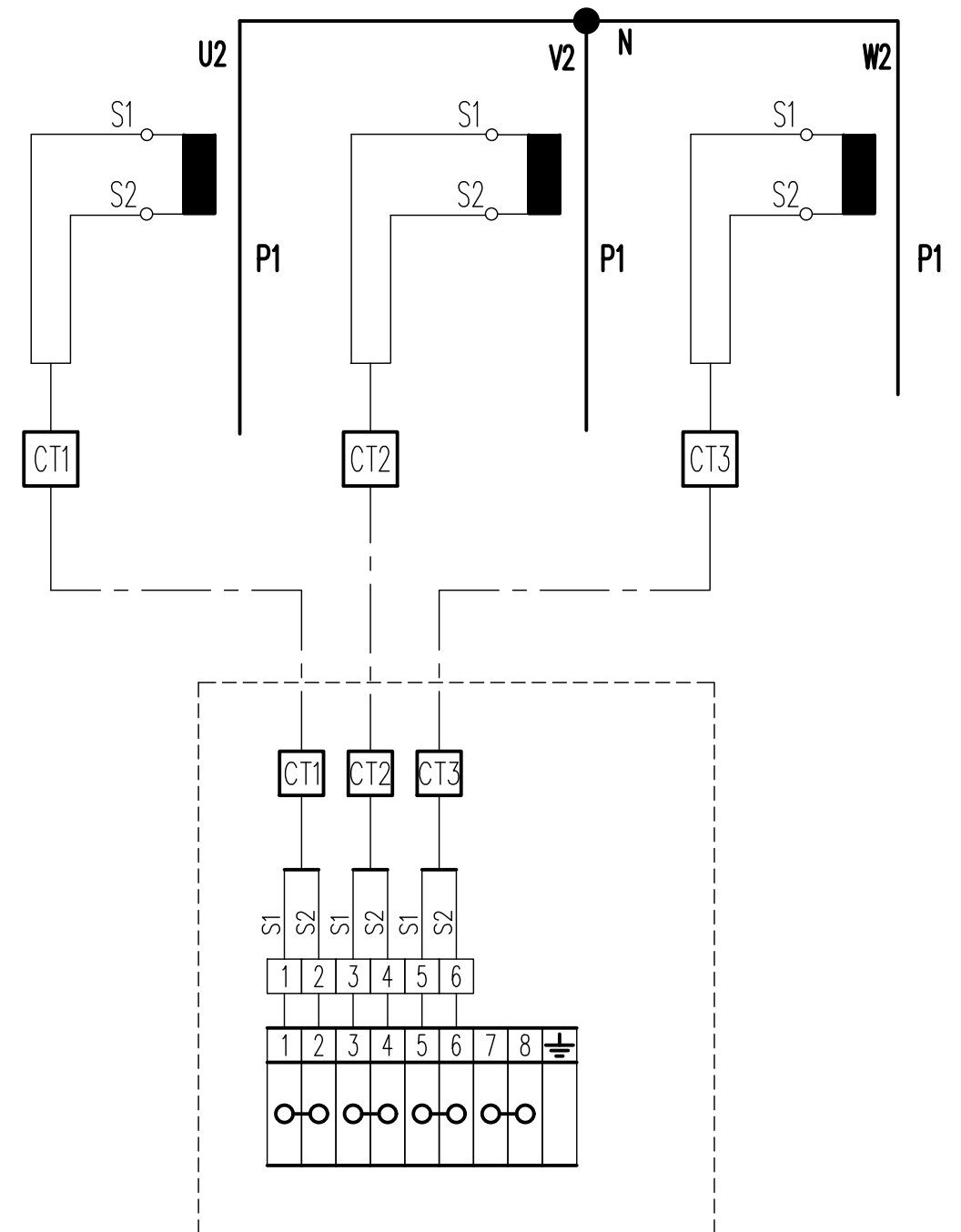
HEATERS TERMINAL BOARD		
ANTILOOSENING TERMINALS	CABLE RATING	
	FLEXIBLE	RIGID
1 - 4	0.5-10 mm ²	0.5-10 mm ²
⏏	0.5-10 mm ²	0.5-10 mm ²

WATER LEAKAGE DETECTOR



WATER LEAKAGE DETECTOR TERMINAL BOARD		
ANTILOOSENING TERMINALS	CABLE RATING	
	FLEXIBLE	RIGID
1 - 28	0.5-2.5 mm ²	0.5-2.5 mm ²
⏏	0.5-2.5 mm ²	0.5-2.5 mm ²

SECONDARY C.T.



SECONDARY C.T. TERMINAL BOARD		
ANTILOOSENING TERMINALS	CABLE RATING	
	FLEXIBLE	RIGID
1 - 8	0.5-10 mm ²	0.5-10 mm ²
⏏	0.5-10 mm ²	0.5-10 mm ²

NOTE:

THE INSTRUMENTATION CHARACTERISTICS ARE SHOWN ON OVERALL DIMENSION DRAWING OR ON DATA SHEET

ELECTRONIC APPROVAL PROCESS

REV	DESCRIPTION	DATE	DRAFTER	REV	DESCRIPTION	DATE	DRAFTER
		----		0	1st EMISSION	23/01/2018	ROSON

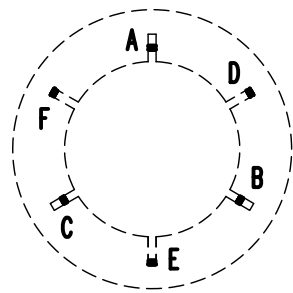


DESCRIPTION

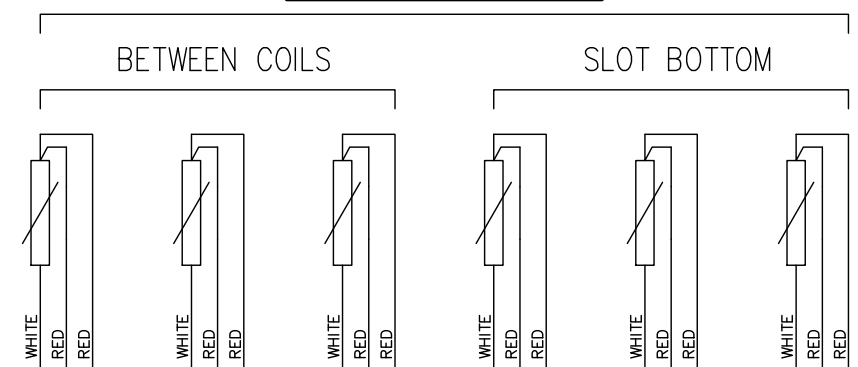
HEATERS, SECONDARY C.T. AND WATER LEAKAGE DETECTOR WIRING DIAGRAM

NUMBER	2900022329	TECHNICAL GROUP	410XX00
SHEET NR.	2	NR. OF SHEET	5
REV.	0		

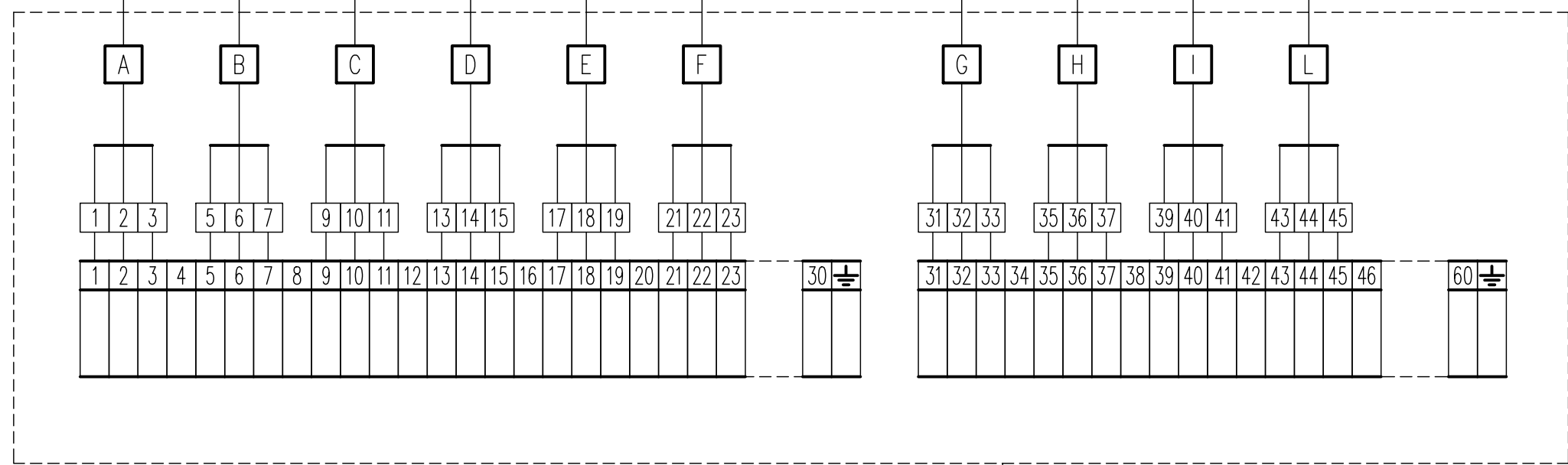
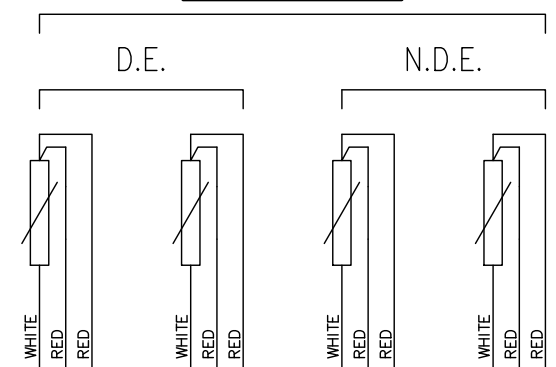
WINDING RTDS LOCATION



STATOR WINDING RTDS



BEARINGS RTDS



RTD TERMINAL BOARD

ANTILOOSENING TERMINALS	CABLE RATING	
	FLEXIBLE	RIGID
1 - 30	0.5-2.5 mm ²	0.5-2.5 mm ²
31-60	0.5-2.5 mm ²	0.5-2.5 mm ²
⊥	0.5-4 mm ²	0.5-4 mm ²

NOTE:

THE INSTRUMENTATION CHARACTERISTICS ARE SHOWN ON OVERALL DIMENSION DRAWING OR ON DATA SHEET

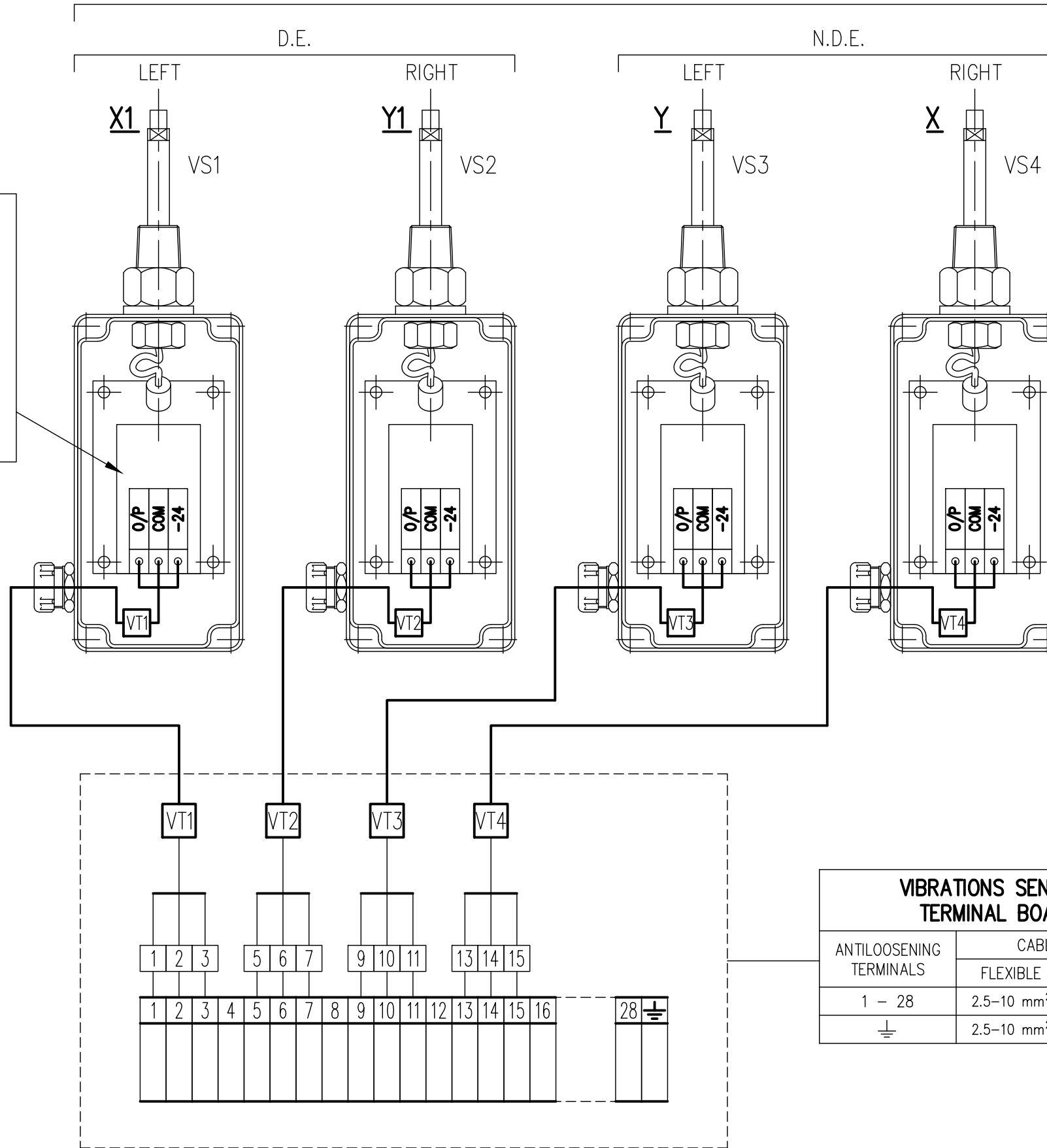
ELECTRONIC APPROVAL PROCESS								DESCRIPTION STATOR WINDING AND BEARINGS RTDS WIRING DIAGRAM		NUMBER 2900022329		TECHNICAL GROUP 410XX00	
REV		DESCRIPTION								SHEET NR. 3		NR. OF SHEET 5	
				REV. 0									

VIBRATIONS SENSORS

IQS 452 SIGNAL CONDITIONER

Output:
Voltage output, 3 wire configuration

- Voltage min. gap : -1.6V
- Voltage max. gap : -17.6V
- Dynamic range : 16V
- output impedance : 500Ω
- Short-circuit current : 45 mA



ELECTRONIC APPROVAL PROCESS

REV	DESCRIPTION	DATE	DRAFTER	REV	DESCRIPTION	DATE	DRAFTER
		----		0	1st EMISSION	23/01/2018	ROSON



DESCRIPTION

**VIBRATIONS SENSORS
WIRING DIAGRAM**

NUMBER	2900022329	TECHNICAL GROUP	410XX00
SHEET NR.	4	NR. OF SHEET	5
REV.	0		

POS.	INSTRUMENT/MANUFACTURER	POSITIONING	REFERENCE DRAWINGS	ITEM	QUANTITY	TYPE/CHARACTERISTIC	SETTING	ALARM	TRIPPING	PART Nr	CERTIFICATE/NOTE
1	RTD's MINCO - USA	STATOR WINDING Between coils Slot bottom	2900022213/AC802BY overall dimensions 2900022328/107AA00 terminal box sh.6 2900022329/410XX00 aux.conn.diag. sh.3	A-B-C D-E-F	6	Pt 100 - IEC 60751 2000 V,50 Hz, for 1 min. 4 WIRE ARRANGEMENT		145°C	155°C	Later 147AA00	
2	RTD's THERMOENGINEERING	D.E. BEARING N.D.E. BEARING	2900022213/AC802BY overall dimensions 2900022328/107AA00 terminal box sh.6 2900022329/410XX00 aux.conn.diag. sh.3	G-H I-L	2+2	Pt 100 - IEC 60751 1000 V,50 Hz, for 1 min. 3 WIRE ARRANGEMENT		95°C	105°C	Later DT88805	
3	CURRENT TRANSFORMER FTR	STAR POINT TERMINAL BOX	2900022213/AC802BY overall dimensions 2900001637/107AA00 terminal box sh.4 2900022329/410XX00 aux.conn.diag. sh.2	CT1÷CT3	3	TA AOC 1200/1-20VA-5P20 Px Vk>405V Rct<9.5Ω				1000280298 DT89208	
4	HEATERS ASI	HEATERS AUXILIARY TERMINAL BOX	2900022213/AC802BY overall dimensions 2900001637/107AA00 terminal box sh.5 2900022329/410XX00 aux.conn.diag. sh.2	R	4	230 V, 1260 W, 50 Hz (TOTAL) 2500 V,50 Hz, for 1 min.				Later	
5	PROBE VIBRATION SENSOR PROBE HOUSING MEGGIT	D.E. BEARING N.D.E. BEARING	2900022213/AC802BY overall dimensions 2900022328/107AA00 terminal box sh.8 2900022329/410XX00 aux.conn.diag. sh.4	VS1-VS2 VS3-VS4	4	Housing type PA 150 800-150-000-012-A1 Sensor type TQ412 11-412-000-113		85 µm p-p	100 µm p-p	Later	
6	TRANSDUCERS BENTLY & NEVADA	PROBE HOUSING	2900022213/AC802BY overall dimensions 2900022328/107AA00 terminal box sh.7 2900022329/410XX00 aux.conn.diag. sh.2	VT1-VT2 VT3-VT4	4	IQS 452 204-452-000-252				Later	
7	WATER LEAKAGE DETECTOR KUBLER	FRAME	2900022213/AC802BY overall dimensions 2900022328/107AA00 terminal box sh.7 2900022329/410XX00 aux.conn.diag. sh.2	WL	1	Type ABAU Contact type: 1 SPDT				Later	

ELECTRONIC APPROVAL PROCESS

REV	DESCRIPTION	DATE	DRAFTER	REV	DESCRIPTION	DATE	DRAFTER
		----		0	1st EMISSION	23/01/2018	ROSON



DESCRIPTION

INSTRUMENT LIST

NUMBER	TECHNICAL GROUP
2900022329	410XX00
SHEET NR.	NR. OF SHEET
5	5
REV.	0

CUSTOMER: SIAD MACCHINE IMPIANTI SPA
 PROJECT: n.1 CT800Y4 – ASCOTEC – IRAN
 JOB NUMBER: AV.74.7068385.0601.01–03
 TYPE: CT 800 Y4

DRAWING	SHEET	DESCRIPTION	REVISION INDEX					
			0	1	2	3	4	
2900022328 107AA00	1	COVER SHEET – TERMINAL BOXES	23.01.18					
	2	MAIN TERMINAL BOX						
	3	STAR POINT TERMINAL BOX						
	4	SECONDARY C.T. AUXILIARY TERMINAL BOX						
	5	HEATERS AUXILIARY TERMINAL BOX						
	6	STATOR WINDING AND BEARINGS RTD AUXILIARY TERMINAL BOX						
	7	WATER LEAKAGE DETECTOR AUXILIARY TERMINAL BOX						
	8	VIBRATION SENSOR AUXILIARY TERMINAL BOX						

ELECTRONIC APPROVAL PROCESS

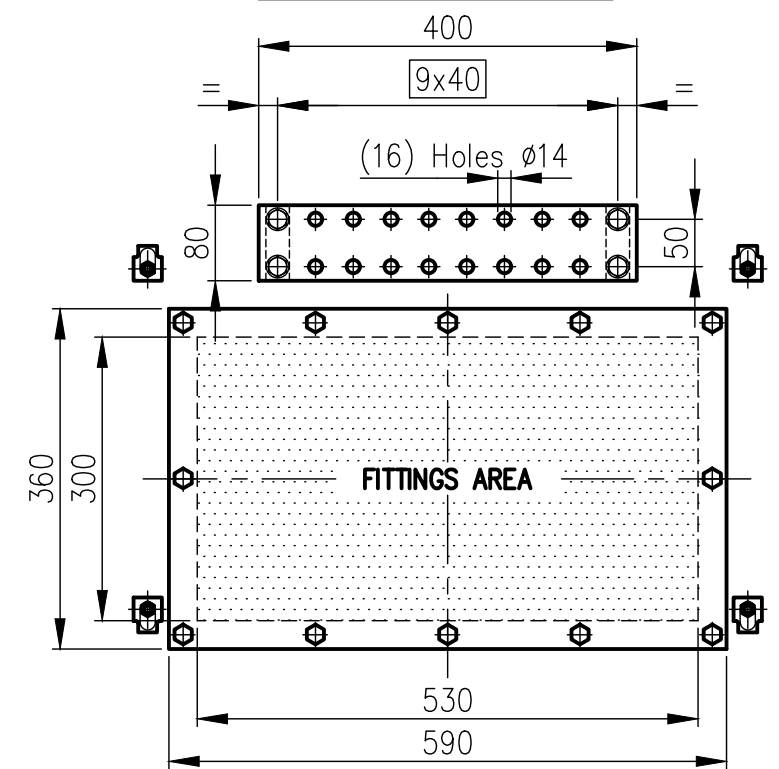
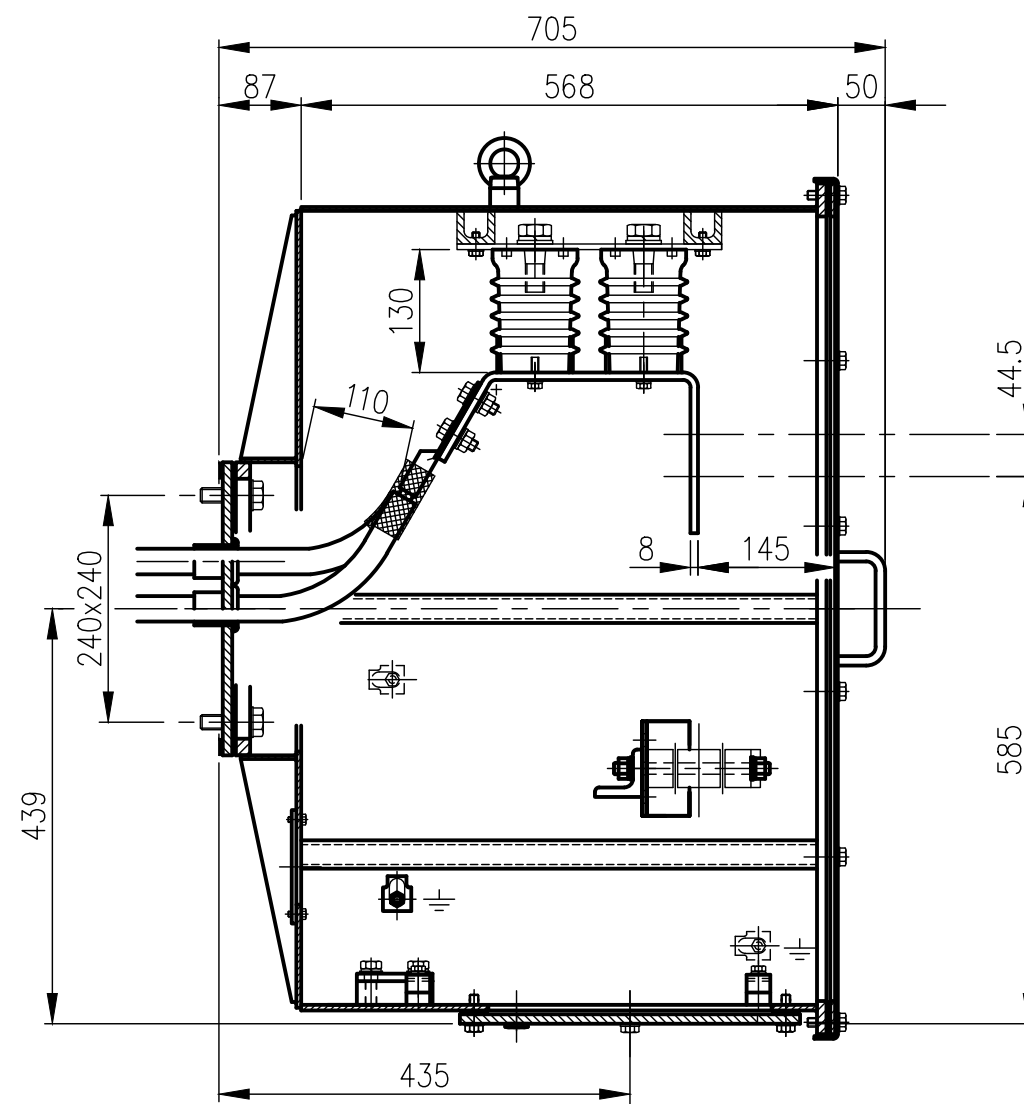
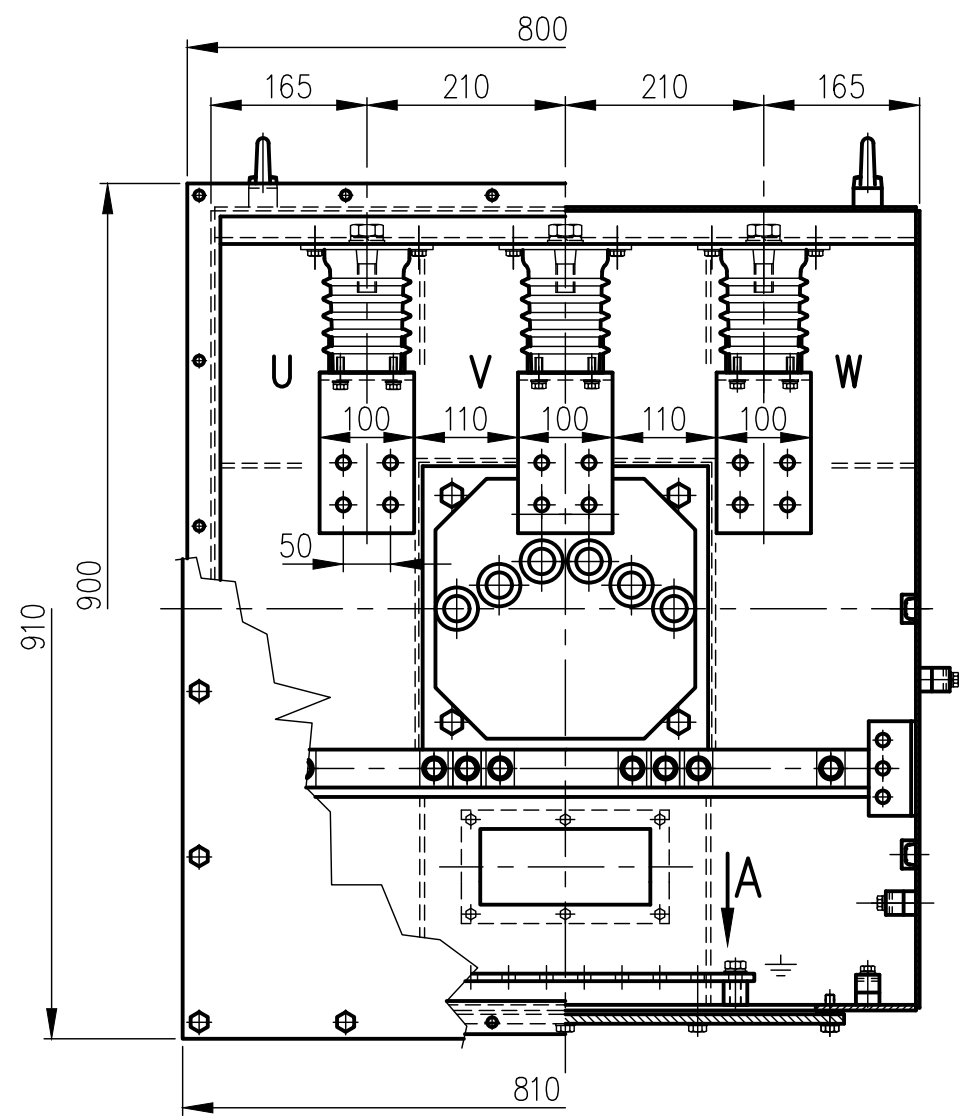
REV	DESCRIPTION	DATE	DRAFTER	REV	DESCRIPTION	DATE	DRAFTER
		----		0	1st EMISSION	23/01/2018	ROSON



DESCRIPTION

COVER SHEET
 TERMINAL BOXES
 AV.74.7068385.0601.01

NUMBER	2900022328	TECHNICAL GROUP	107AA00
SHEET NR.	1	NR. OF SHEET	8
REV.	0		



NOTES:

- DEGREE OF PROTECTION: IP55
- TERMINAL BOX MATERIAL: STEEL PLATE
- MIN. THICKNESS: 4mm
- BASE PLATE MATERIAL: ALUMINIUM
- BASE PLATE THICKNESS: 15mm

ELECTRONIC APPROVAL PROCESS

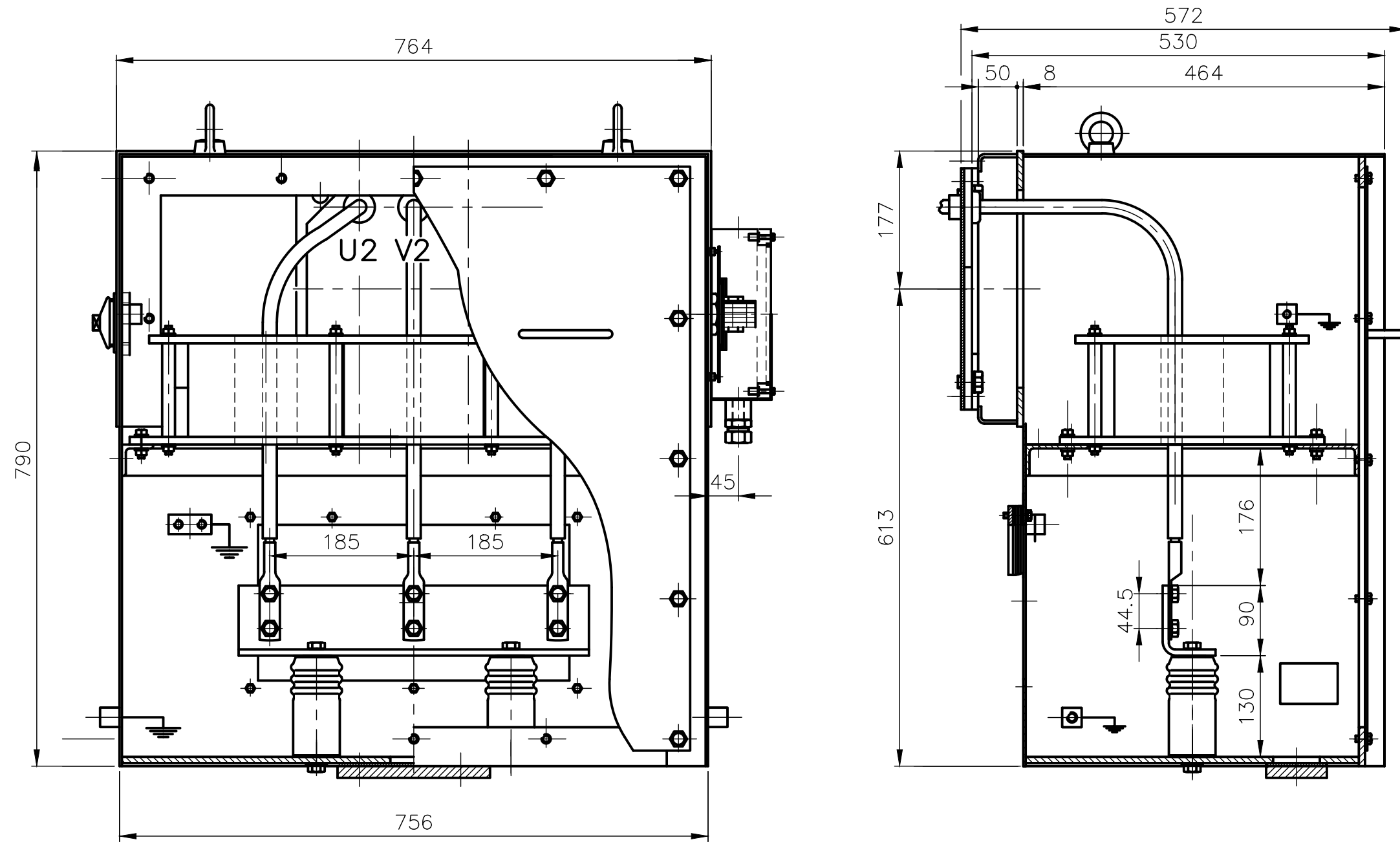
REV	DESCRIPTION	DATE	DRAFTER	REV	DESCRIPTION	DATE	DRAFTER
		----		0	1st EMISSION	23/01/2018	ROSON



DESCRIPTION

MAIN TERMINAL BOX

NUMBER 2900022328		TECHNICAL GROUP 107AA00	
SHEET NR. 2		NR. OF SHEET 8	
REV.	0		



NOTES:

- DEGREE OF PROTECTION: IP55
- TERMINAL BOX MATERIAL: STEEL PLATE
- MIN. THICKNESS: 4mm

ELECTRONIC APPROVAL PROCESS

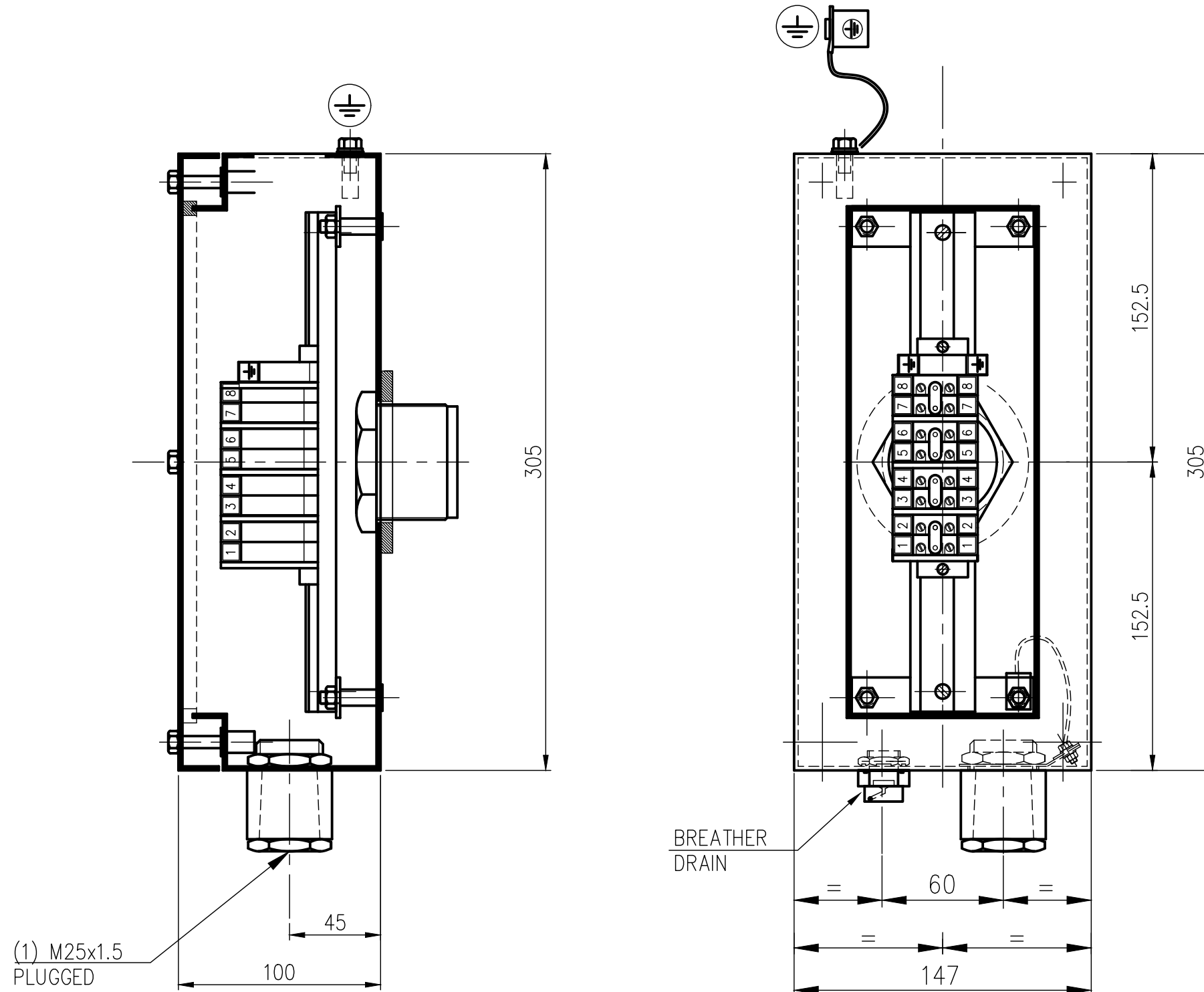
REV	DESCRIPTION	DATE	DRAFTER	REV	DESCRIPTION	DATE	DRAFTER
---		---		0	1st EMISSION	23/01/2018	ROSON



DESCRIPTION

STAR POINT TERMINAL BOX

NUMBER	2900022328	TECHNICAL GROUP	107AA00
SHEET NR.	3	NR. OF SHEET	8
REV.	0		



- NOTES:
- DEGREE OF PROTECTION: IP55
 - TERMINAL BOX MATERIAL: STAINLESS STEEL
 - MIN. THICKNESS: 2mm
 - QUANTITY AND TYPE OF TERMINAL ARE SHOWN ON CONNECTION DIAGRAM

ELECTRONIC APPROVAL PROCESS

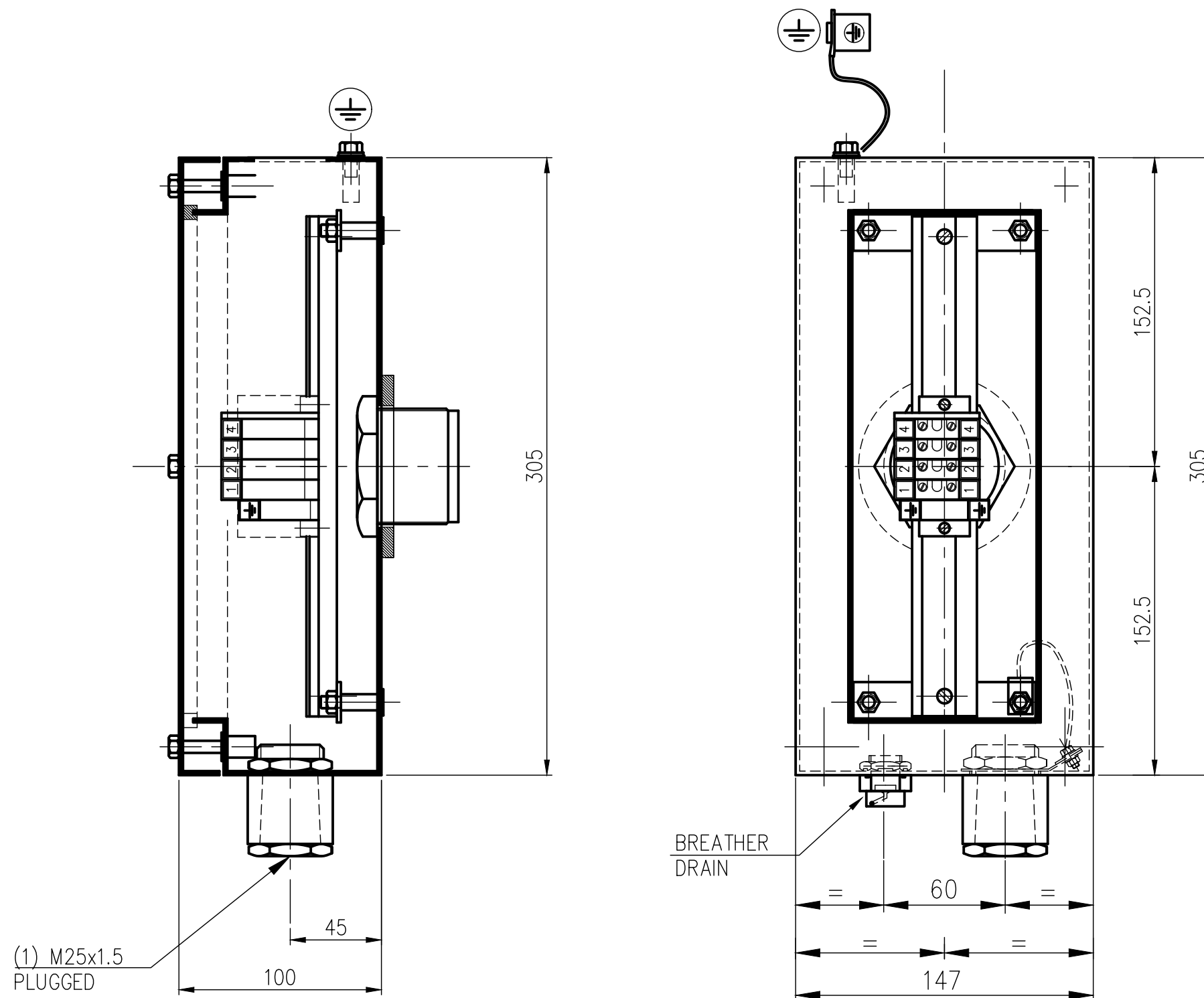
REV	DESCRIPTION	DATE	DRAFTER	REV	DESCRIPTION	DATE	DRAFTER
		----		0	1st EMISSION	23/01/2018	ROSON



DESCRIPTION

SECONDARY C.T.
AUXILIARY TERMINAL BOX

NUMBER	2900022328	TECHNICAL GROUP	107AA00
SHEET NR.	4	NR. OF SHEET	8
REV.	0		



- NOTES:
- DEGREE OF PROTECTION: IP55
 - TERMINAL BOX MATERIAL: STAINLESS STEEL
 - MIN. THICKNESS: 2mm
 - QUANTITY AND TYPE OF TERMINAL ARE SHOWN ON CONNECTION DIAGRAM

ELECTRONIC APPROVAL PROCESS

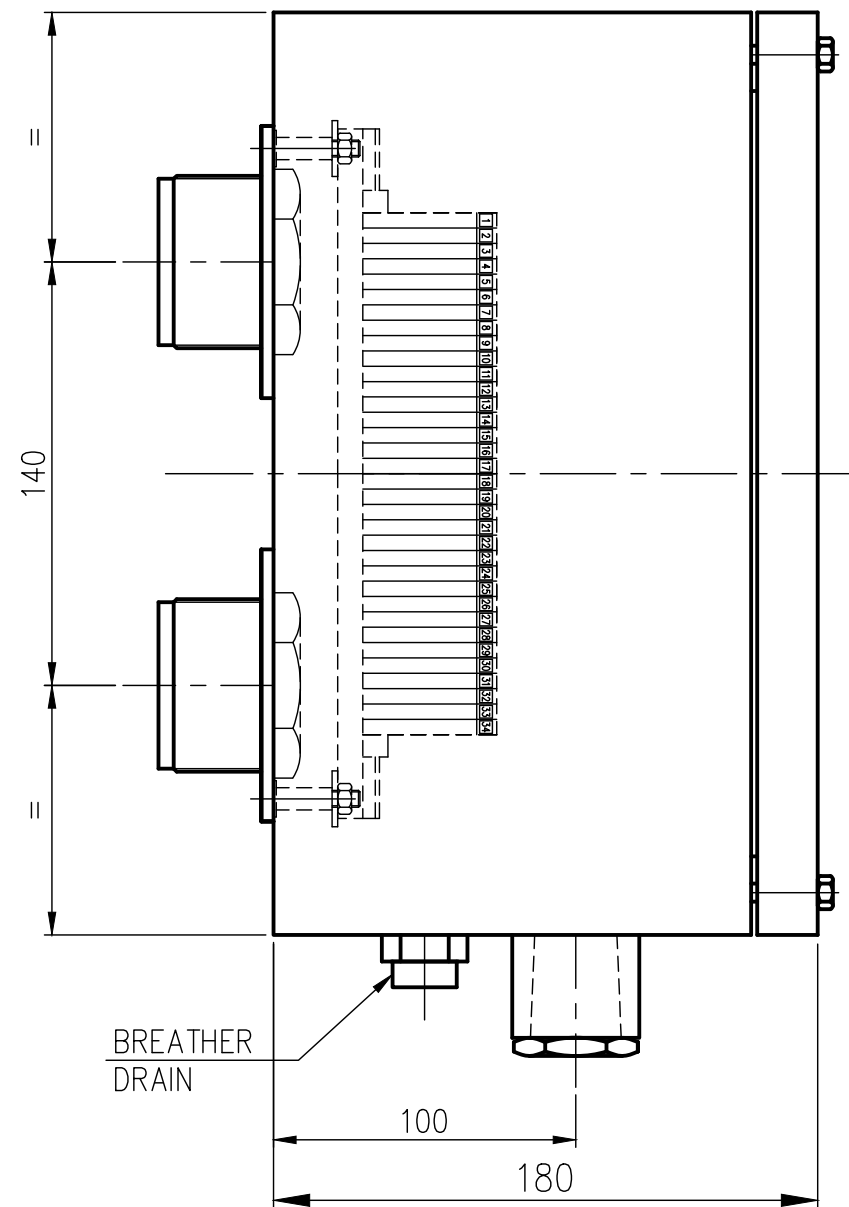
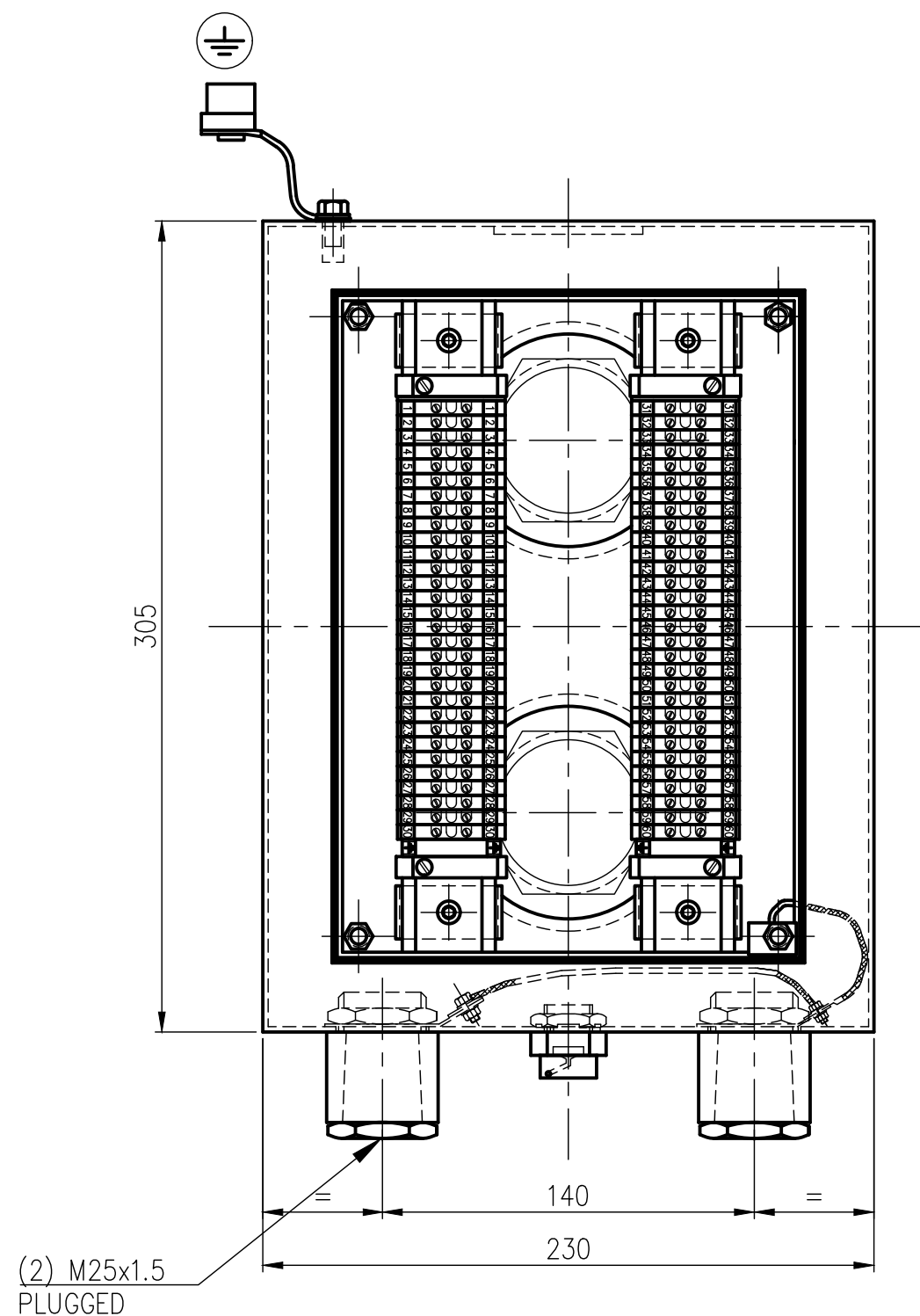
REV	DESCRIPTION	DATE	DRAFTER	REV	DESCRIPTION	DATE	DRAFTER
		----		0	1st EMISSION	23/01/2018	ROSON



DESCRIPTION

HEATERS
AUXILIARY TERMINAL BOX

NUMBER	TECHNICAL GROUP
2900022328	107AA00
SHEET NR.	NR. OF SHEET
5	8
REV.	0



NOTES:

- DEGREE OF PROTECTION: IP55
- TERMINAL BOX MATERIAL: STAINLESS STEEL
- MIN. THICKNESS: 2mm
- QUANTITY AND TYPE OF TERMINAL ARE SHOWN ON CONNECTION DIAGRAM

ELECTRONIC APPROVAL PROCESS

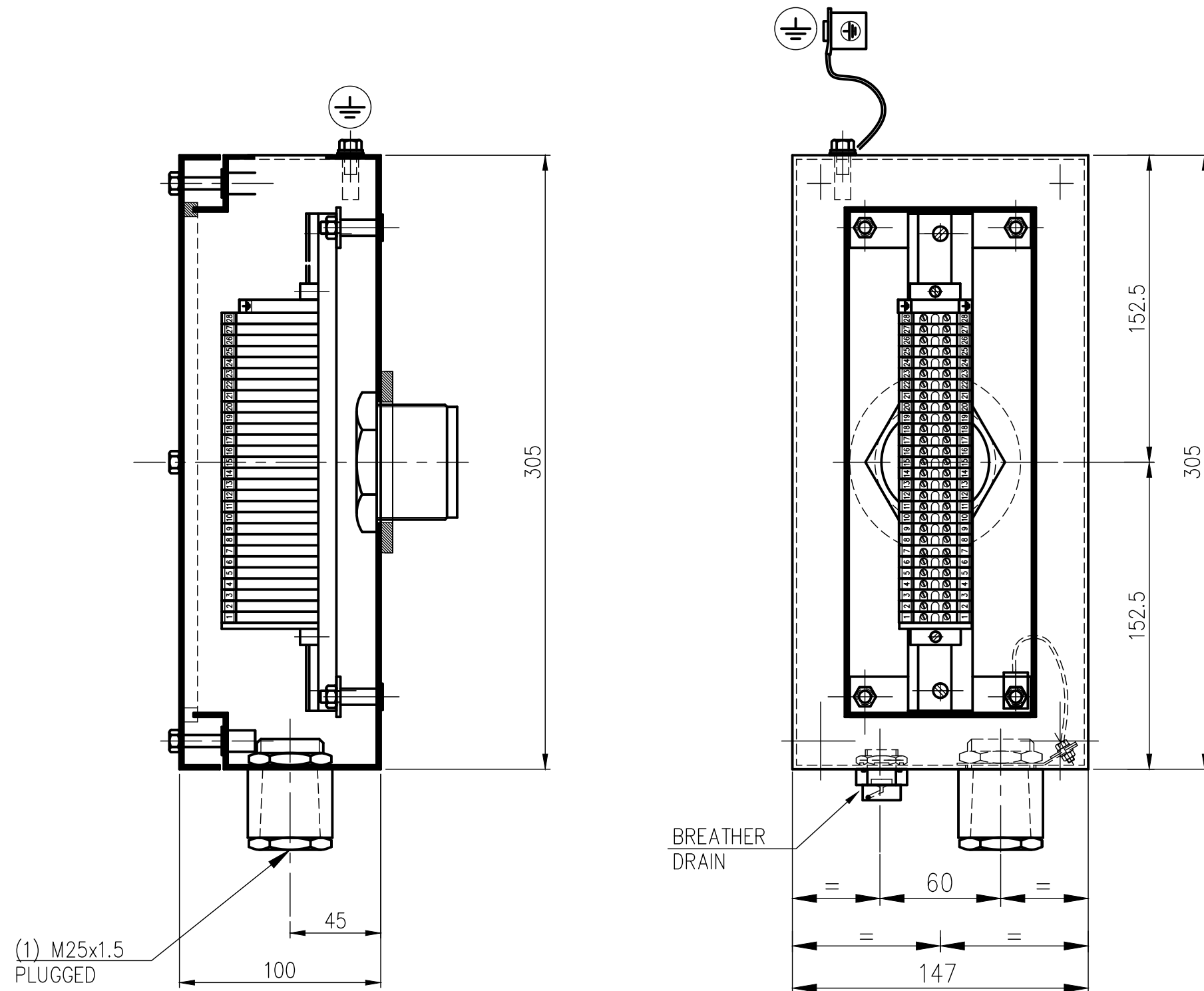
REV	DESCRIPTION	DATE	DRAFTER	REV	DESCRIPTION	DATE	DRAFTER
		----		0	1st EMISSION	23/01/2018	ROSON



DESCRIPTION

STATOR WINDING AND BEARINGS RTD AUXILIARY TERMINAL BOX

NUMBER	2900022328	TECHNICAL GROUP	107AA00
SHEET NR.	6	NR. OF SHEET	8
REV.	0		



- NOTES:
- DEGREE OF PROTECTION: IP55
 - TERMINAL BOX MATERIAL: STAINLESS STEEL
 - MIN. THICKNESS: 2mm
 - QUANTITY AND TYPE OF TERMINAL ARE SHOWN ON CONNECTION DIAGRAM

ELECTRONIC APPROVAL PROCESS

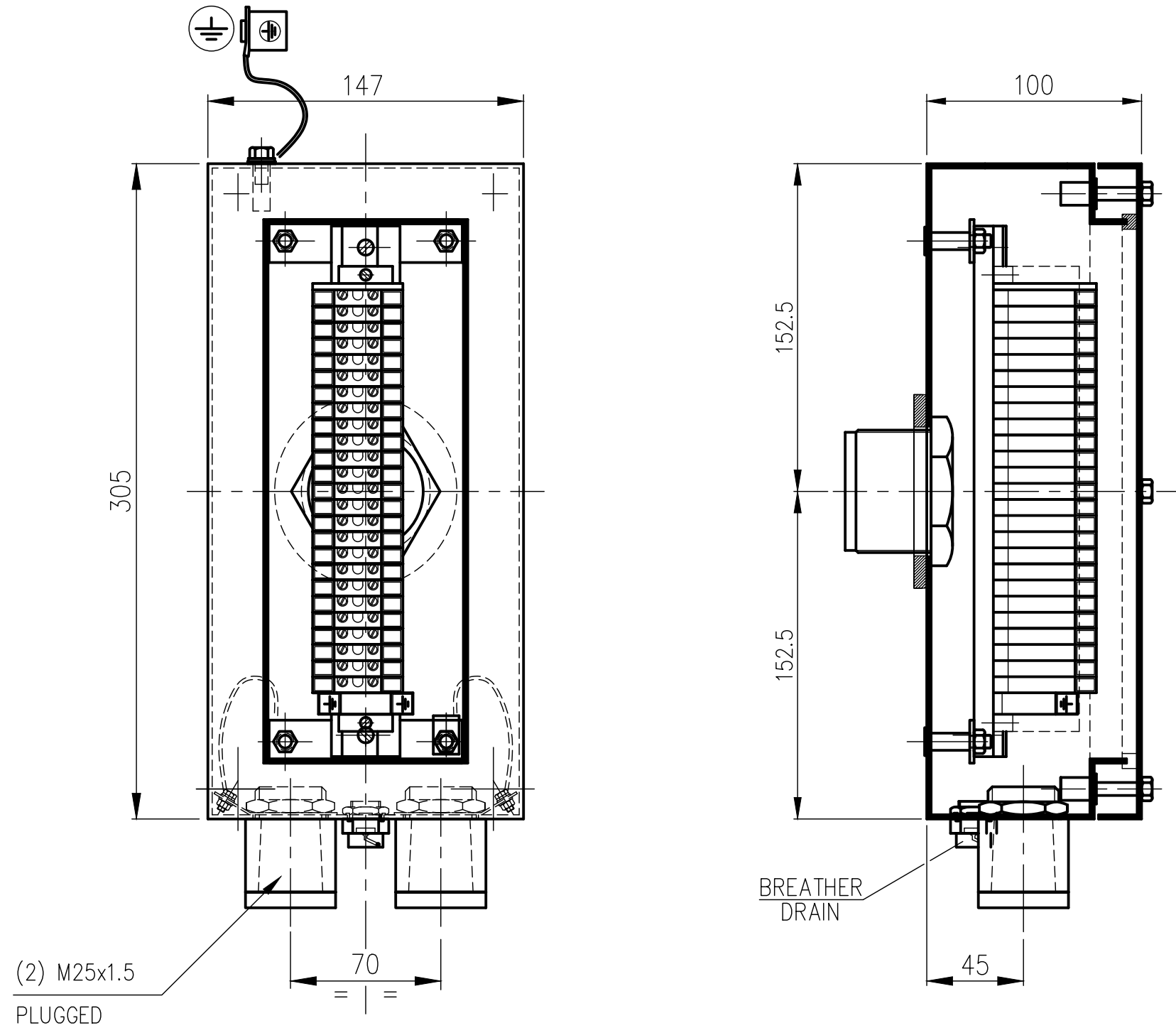
REV	DESCRIPTION	DATE	DRAFTER	REV	DESCRIPTION	DATE	DRAFTER
		----		0	1st EMISSION	23/01/2018	ROSON



DESCRIPTION

**WATER LEAKAGE DETECTOR
AUXILIARY TERMINAL BOX**

NUMBER	TECHNICAL GROUP
2900022328	107AA00
SHEET NR.	NR. OF SHEET
7	8
REV.	0



NOTES:

- DEGREE OF PROTECTION: IP55
- TERMINAL BOX MATERIAL: STAINLESS STEEL
- MIN. THICKNESS: 2mm
- QUANTITY AND TYPE OF TERMINAL ARE SHOWN ON CONNECTION DIAGRAM

ELECTRONIC APPROVAL PROCESS

REV	DESCRIPTION	DATE	DRAFTER	REV	DESCRIPTION	DATE	DRAFTER
		----		0	1st EMISSION	23/01/2018	ROSON



DESCRIPTION

VIBRATION SENSORS
AUXILIARY TERMINAL BOX

NUMBER	TECHNICAL GROUP
2900022328	107AA00
SHEET NR.	NR. OF SHEET
8	8
REV.	0